



- Compact, variable light fixture for dry, damp, or wet location use.
- Fixture comes in 1ft, 2ft and 4ft options.
- Many options in optics, color temperature and accessories to suit a range of projects. Call factory for additional options.
- Boca Flasher's patented CleanDim® technology ensures even dimming from 0-100%.
- Fixtures are compatible with both forward and reverse phase dimming or can use Boca's SDS module for 0-10V, DALI, or DMX Dimming.
- EMI Filter integral.
- Simple installation using conventional wiring.
- Contact Boca Flasher for tips with custom installations.

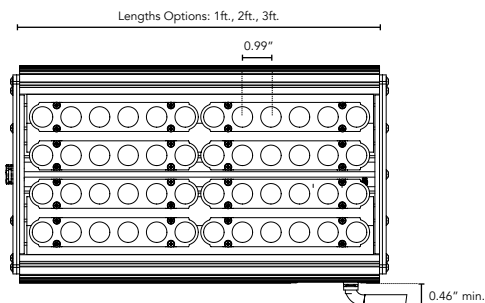


**PRODUCT SPECIFICATIONS:**

COLOR OPTION		OPTIC	VOLTAGE	FINISH	LOCATION	MOUNTING	OPTION
SBL	MC			A			
	2700K	10°	120V	A Clear Anodized Aluminum	I Interior	S Swivel	
	3000K	30°	277V		E Exterior	LS Large Swivel	
	3500K	60°			W Wet		
	4000K	10°x60°					
	5000K	30°x60°					
	Amber	120°					
	Red						
	Green						
	Blue						

**DIMENSIONS:**

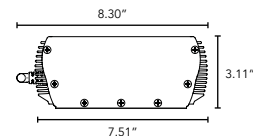
Plan View



Elevation View



End View



# SBL-MC

High Intensity Solid Color LED Fixture



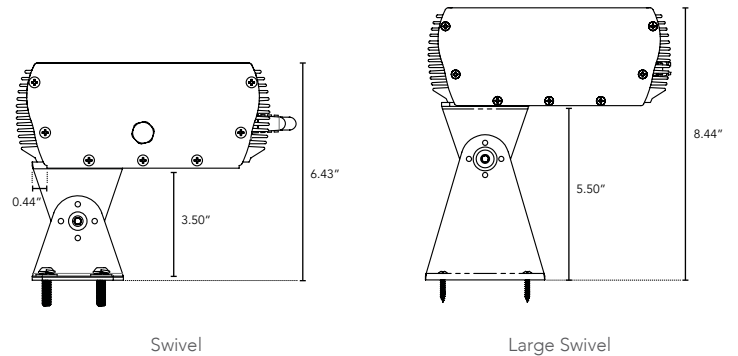
## TECHNICAL SPECIFICATIONS:

WATTAGE	48 watts per linear ft.
INPUT VOLTAGE	90-120VAC 230-277VAC
CONTROL	Leading Edge/Trailing Edge line dimmer 0-10V, DALI or DMX*
LED SPACING	1" x 1.5" on center
LENGTH	1ft, 2 ft, 3 ft
TOTAL HEIGHT	3.05"
TOTAL WIDTH	7.50"
COLOR OPTIONS	2700K, 3000K, 3500K, 4000K, 5000K, Amber, Red, Green, Blue
MOUNTING	Swivel or Large Swivel
AVAILABLE OPTICS	10°, 30°, 60°, 10°x60°, 30°x60°, 120°
RATING	IP60, IP65, IP68
COLOR RENDERING INDEX (CRI)	90 + CRI
POWER CABLE	UL Standard 6 ft.

\*Use Boca SDS module for 0-10V or DMX Dimming.

## MOUNTING INFORMATION:

- For vertical installation please contact the factory for specific mounting instructions.
- For installations above 4' please contact the factory.



## LUMINAIRE INFORMATION:

IES Files Pending

- Specific Files Available On Request