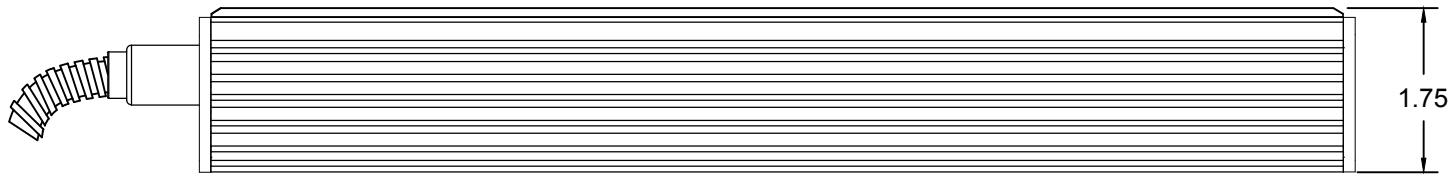
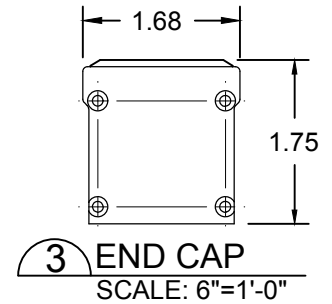


1 PLAN VIEW  
SCALE: 6"=1'-0"

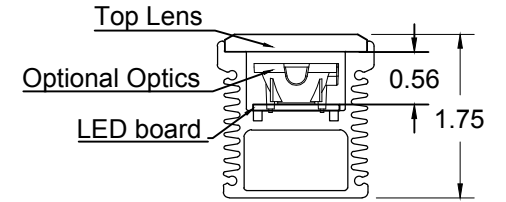


2 ELEVATION VIEW  
SCALE: 6"=1'-0"

Diodes located in center of each optic

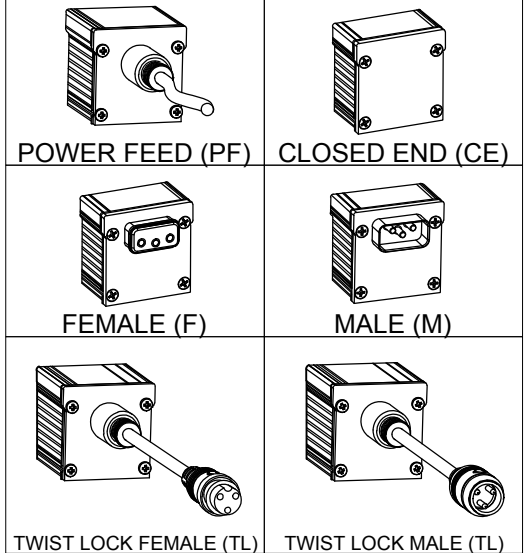


3 END CAP  
SCALE: 6"=1'-0"

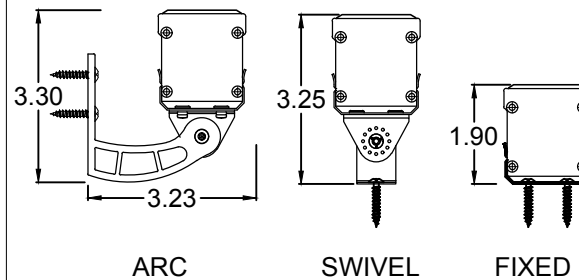


4 SECTION  
SCALE: 6"=1'-0"

### END CAP CONDITIONS



### MOUNTING OPTIONS



### TECHNICAL DATA

Parameter	Data
Power	10 watts per linear ft.
Input Voltage	90-120V or 230-277V
Input Current per Linear Ft	88mA@120V or 40mA@277V
Control	Leading-edge/Trailing-edge line dimmer
Power Cable Length	UL Standard 6ft
LED Spacing	1.5" on center
Fixture Length	12"-96", in 6" increment
Fixture Width	1.68"
Total Height (not including clip)	1.75"
Mounting	Fixed, Swivel, 3" Arc Bracket & 6" Arc Bracket
Available Optics	10°, 30°, 60°, 10°x60°, 30°x60°, 120°
Finish Options	Clear or Black Anodized Aluminum
LED Color Options	27K,3K,35K,4K,5K,Amber,Red,Green,Blue
Color Rendering Index	90+ CRI
Ratings	Dry, IP65, IP68
Total linear ft per 20A breaker	128ft@120V or 280ft@277V
Total linear ft per 15A breaker:	96ft@120V or 210ft@277V
Total linear ft per power feed	56ft@120V or 120ft@277V
Transformer	N/A



LED Lighting Systems, Technologies, & Manufacturing

508 South Military Trail Deerfield Beach FL, 33442  
www.BocaFlasher.com (561) 989-5338

THIS DOCUMENT IS CONFIDENTIAL AND PROTECTED BY COPYRIGHTS OF BOCA FLASHER INC.

REV 04082019

## HPNLS - Lo8

FILE NAME:	TECHNICAL SHEET	PART #:	HPNLS-Lo8
DRAWN BY:	ANGELA TODD		02 / 17 / 15
DESIGN BY:	LUIS ROSADO		
APPROVED BY:	STEPHANIE BURKE		02 / 17 / 15
SCALE:	NTS	SHEET:	1 OF 1