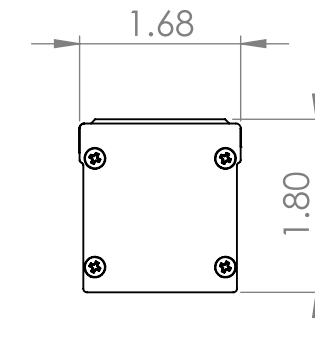


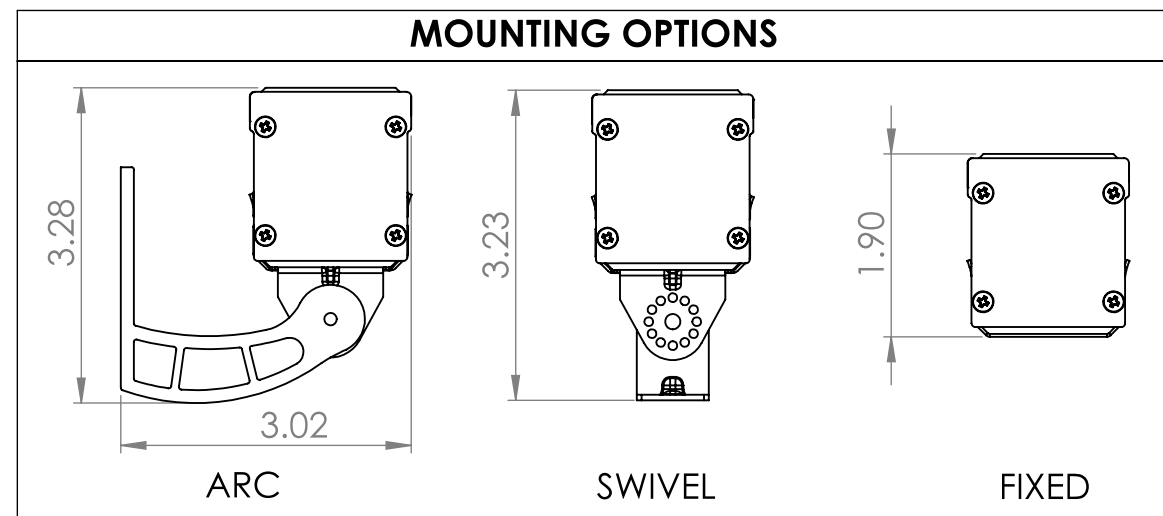
1 PLAN VIEW




3 END VIEW



2 ELEVATION VIEW



TECHNICAL DATA	
Parameter	Data
Wattage	12W Max, software controlled
Input Voltage	120VAC
Input Current per Linear Ft	190mA/ft
Control	NanoRouter
Power Cable Length	30ft
LED Spacing	1.00"
Fixture Length	12" - 96" IN 6" INCREMENTS
Fixture Width	1.68"
Total Height (not including clip)	1.80"
Mounting	Fixed, Swivel or ARC
Available Optics	120°
Finish Options	Clear Anodized Aluminum or Black
LED color Options	TRIPLE DIODE RGB OR TRIPLE DIODE RGB WITH WHITE OPTION
Color Rendering Index	95 CRI (WM)
Ratings	Dry, IP65, IP68
Total linear ft per 20A breaker	104ft
Total linear ft per 15A breaker	78ft
Total linear ft per power feed	26ft

 boca FLASHER LED Lighting Systems, Technologies, & Manufacturing		REV 04082019		DESCRIPTION	
		TRI-LIGHT-HV			
508 South Military Trail Deerfield Beach FL, 33442		www.BocaFlasher.com (561) 989-5338		FILE NAME: TECHNICAL SHEET	PART NUMBER : BF-TRILIGHTHV
PROPRIETARY AND CONFIDENTIAL THE INFORMATION CONTAINED IN THIS DRAWING IS THE SOLE PROPERTY OF BOCAFLASHER. ANY REPRODUCTION IN PART OR AS A WHOLE WITHOUT THE WRITTEN PERMISSION OF BOCAFLASHER IS PROHIBITED.		DRAWN BY JEONG PARK		7/24/2017	
		CHECKED BY ERIC ZUNIGA		7/24/2017	
		SIZE B	DWG. NO.	REV	UPDATED
SCALE 1:2		WEIGHT:		SHEET 1 OF 1	