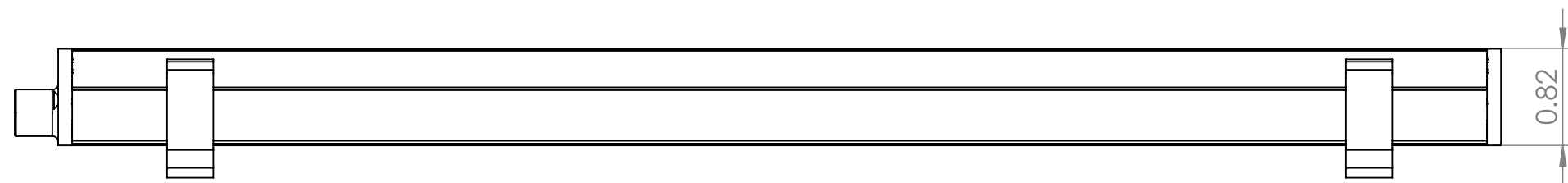
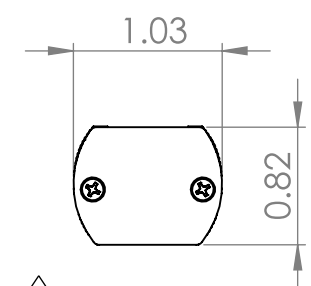


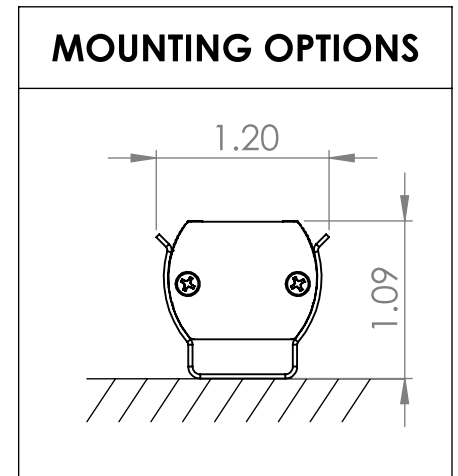
1 PLAN VIEW



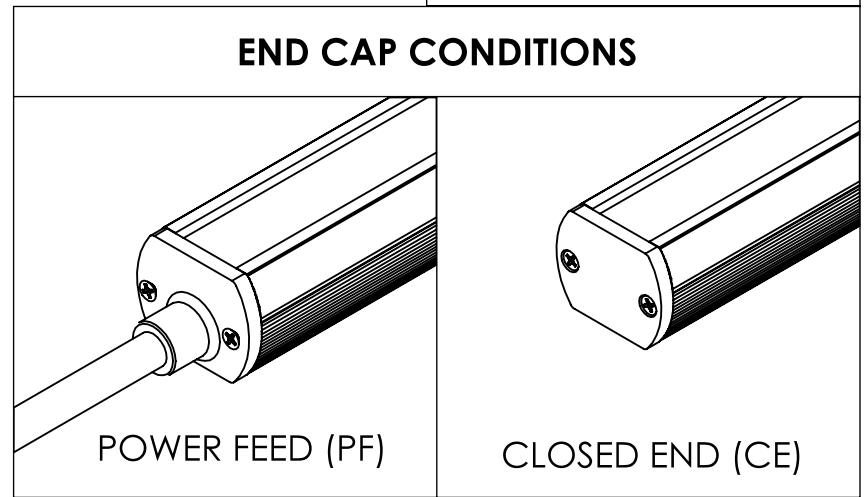
2 ELEVATION VIEW



3 END VIEW




MOUNTING OPTIONS



END CAP CONDITIONS

TECHNICAL DATA	
Parameter	Data
Wattage	8W software controlled
Input Voltage	90-120V
Input Current per Linear Ft	120mA@120V
Control	NanoRouter
Power Cable Length	UL Standard 6ft
LED Spacing	1.0" on center
Fixture Length	12"-72", in 6" increment
Fixture Width	1.03"
Total Height (not including clip)	0.82"
Mounting	Fixed clip
Available Optics	24°, 120°
Finish Options	White or Black high temperature ABS Plastic
LED color Options	RGBW (20K, 24K, 27K, 30K, 35K, 40K, 50K, 65K)
Color Rendering Index	90+ CRI
Ratings	Dry
Total linear ft per 20A breaker	160ft@120V
Total linear ft per 15A breaker	120ft@120V
Total linear ft per power feed	30ft@120V
Transformer	N/A

 boca FLASHER LED Lighting Systems, Technologies, & Manufacturing		DESCRIPTION	
		NANOMIX	
508 South Military Trail Deerfield Beach FL, 33442		www.BocaFlasher.com (561) 989-5338	
PROPRIETARY AND CONFIDENTIAL THE INFORMATION CONTAINED IN THIS DRAWING IS THE SOLE PROPERTY OF BOCAFLASHER. ANY REPRODUCTION IN PART OR AS A WHOLE WITHOUT THE WRITTEN PERMISSION OF BOCAFLASHER IS PROHIBITED.		FILE NAME: TECHNICAL SHEET DRAWN BY: JEONG PARK CHECKED BY: ERIC ZUNIGA	PART NUMBER : BF-NANOLUMEMIX 7/24/2017 7/25/2017
SIZE B	DWG. NO.	REV A	UPDATED JULY 2017
SCALE 3:4		WEIGHT:	SHEET 1 OF 1