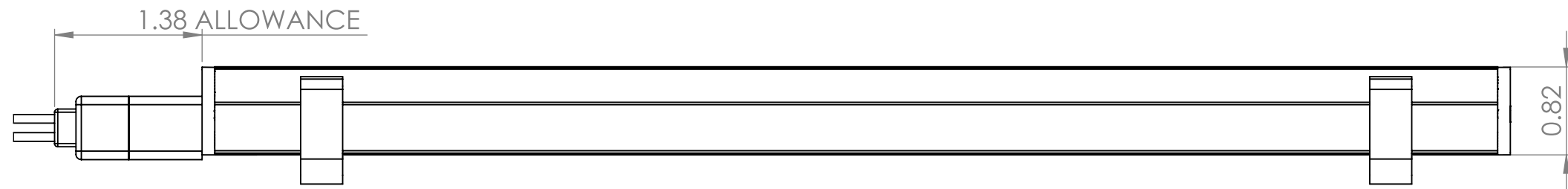
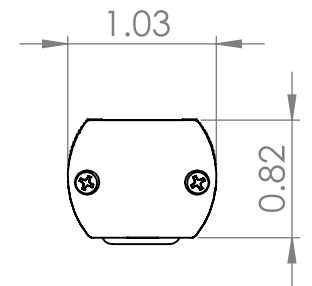


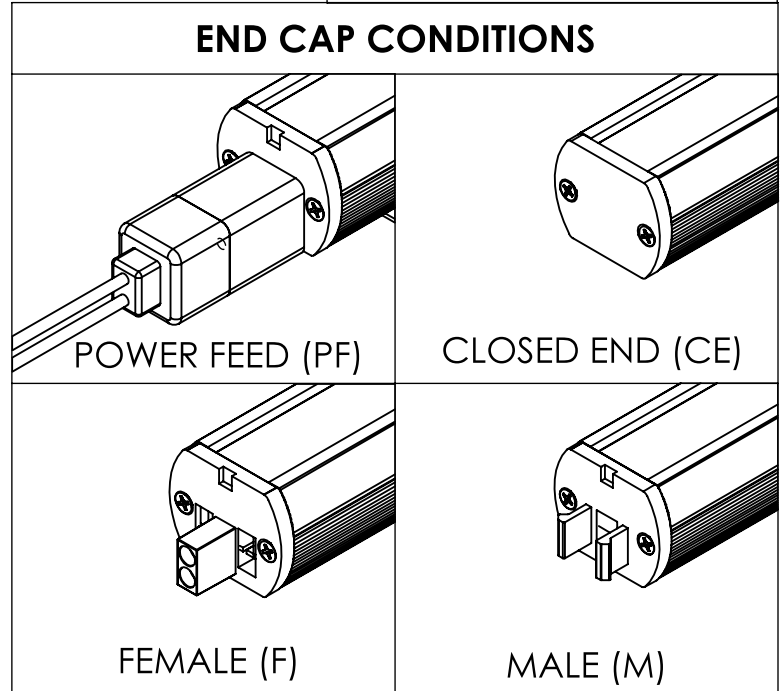
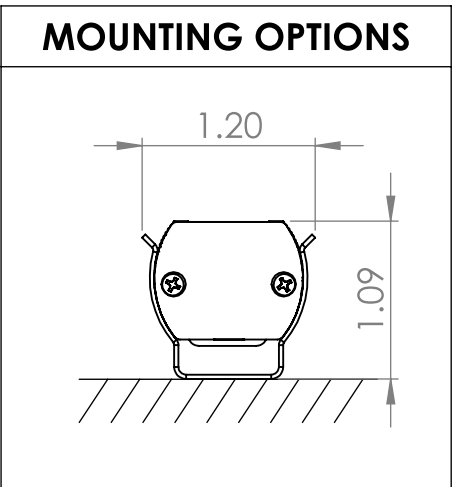
1 PLAN VIEW



2 ELEVATION VIEW



3 END VIEW



TECHNICAL DATA	
Parameter	Data
Wattage	6 Watts per linear ft.
Input Voltage	90-120V or 230-277V
Input Current per Linear Ft	54mA@120V or 24mA@277V
Control	Leading-edge/Trailing-edge line dimmer
Power Cable Length	UL Standard 6ft
LED Spacing	0.65" on center
Fixture Length	12"-72", in 6" increment
Fixture Width	1.03"
Total Height (not including clip)	0.82"
Mounting	Fixed clip
Available Optics	24°, 120°
Finish Options	White or Black high temperature ABS Plastic
LED color Options	20K - 30K
Color Rendering Index	90+ CRI
Ratings	Dry
Total linear ft per 20A breaker	210ft@120V or 470ft@277V
Total linear ft per 15A breaker	156ft@120V or 350ft@277V
Total linear ft per power feed	76ft@120V or 156ft@277V
Transformer	N/A

<p>LED Lighting Systems, Technologies, & Manufacturing</p> <p>508 South Military Trail Deerfield Beach FL, 33442</p> <p>www.BocaFlasher.com (561) 989-5338</p>		REV 04082019	
		DESCRIPTION	
		NANO WARM DIM	
FILE NAME: TECHNICAL SHEET		PART NUMBER: BF-NANOLUMEWD	
DRAWN	JEONG PARK	7/24/2017	
CHECKED	ERIC ZUNIGA	7/24/2017	
SIZE	DWG. NO.	REV	UPDATED
B		A	JULY 2017
SCALE 3:4	WEIGHT:	SHEET 1 OF 1	

PROPRIETARY AND CONFIDENTIAL
THE INFORMATION CONTAINED IN THIS DRAWING IS THE SOLE PROPERTY OF BOCAFLASHER. ANY REPRODUCTION IN PART OR AS A WHOLE WITHOUT THE WRITTEN PERMISSION OF BOCAFLASHER IS PROHIBITED.