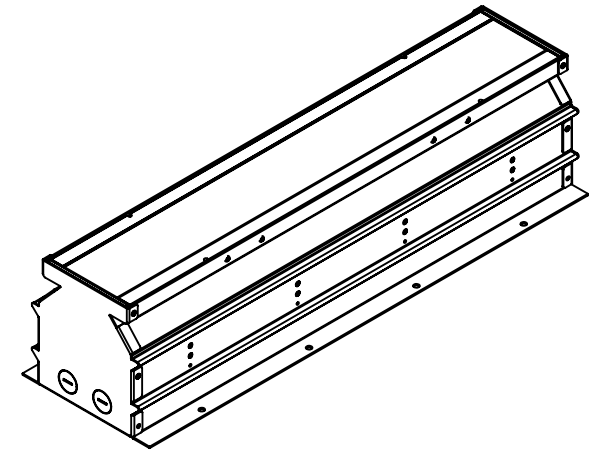
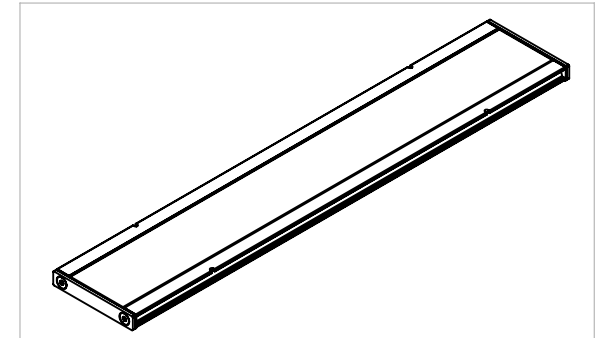


LENS COVER



TECHNICAL DATA	
Parameter	Data
Available Lengths	12", 24", and 48"
Compatible Light Fixtures	HPNLS, Trilight, Lumeline
Min. Drainage Rates	12"(0.064 gal/min), 24"(0.119 gal/min), 48"(0.231 gal/min)
Ground Materials	Gravel, Concrete with drainage system
Max. Weight	3000 lbs (over average car tire)
Ratings	Dry, IP65, IP68



LED Lighting Systems, Technologies, & Manufacturing

508 South Military Trail
Deerfield Beach FL, 33442

www.BocaFlasher.com
(561) 989-5338

THIS DOCUMENT IS CONFIDENTIAL AND PROTECTED BY COPYRIGHTS OF BOCA FLASHER INC.

PRODUCT NAME:
INGRADE

FILE NAME: TECHNICAL SHEET

PART #: INGRADE

DRAWN BY: JEON PARK

DATE: 03272020

DESIGN BY:

APPROVED BY: ERIC ZUNIGA

SCALE: 1.5

SHEET: 1 OF 1

REV: B