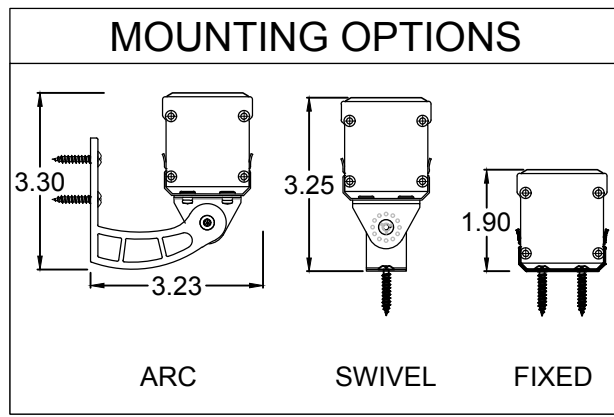


| END CAP CONDITIONS | |
|------------------------|----------------------|
| POWER FEED (PF) | CLOSED END (CE) |
| FEMALE (F) | MALE (M) |
| TWIST LOCK FEMALE (TL) | TWIST LOCK MALE (TL) |



| TECHNICAL DATA | |
|-----------------------------------|--|
| Parameter | Data |
| Power | 8 watts per linear ft. |
| Input Voltage | 90-120V or 230-277V |
| Input Current per Linear Ft | 72mA@120V or 34mA@277V |
| Control | Leading-edge/Trailing-edge line dimmer |
| Power Cable Length | UL Standard 6ft |
| LED Spacing | 2" on center |
| Fixture Length | 12"-96", in 6" increment |
| Fixture Width | 1.68" |
| Total Height (not including clip) | 1.75" |
| Mounting | Fixed, Swivel, 3" Arc Bracket & 6" Arc Bracket |
| Available Optics | 10°, 30°, 60°, 10°x60°, 30°x60°, 120° |
| Finish Options | Clear or Black Anodized Aluminum |
| LED Color Options | 27K,3K,35K,4K,5K,Amber,Red,Green,Blue |
| Color Rendering Index | 90+ CRI |
| Ratings | Dry, IP65, IP68 |
| Total linear ft per 20A breaker | 150ft@120V or 330ft@277V |
| Total linear ft per 15A breaker: | 112ft@120V or 240ft@277V |
| Total linear ft per power feed | 70ft@120V or 144ft@277V |
| Transformer | N/A |

LED Lighting Systems, Technologies, & Manufacturing

508 South Military Trail
Deerfield Beach FL, 33442

www.BocaFlasher.com
(561) 989-5338

THIS DOCUMENT IS CONFIDENTIAL AND PROTECTED BY COPYRIGHTS OF BOCA FLASHER INC.

REV 04082019

HPNLS - Lo6

| | | | |
|--------------|-----------------|---------|--------------|
| FILE NAME: | TECHNICAL SHEET | PART #: | HPNLS-Lo6 |
| DRAWN BY: | ANGELA TODD | | 02 / 17 / 15 |
| DESIGN BY: | LUIS ROSADO | | |
| APPROVED BY: | STEPHANIE BURKE | | 02 / 17 / 15 |
| SCALE: | NTS | SHEET: | 1 OF 1 |