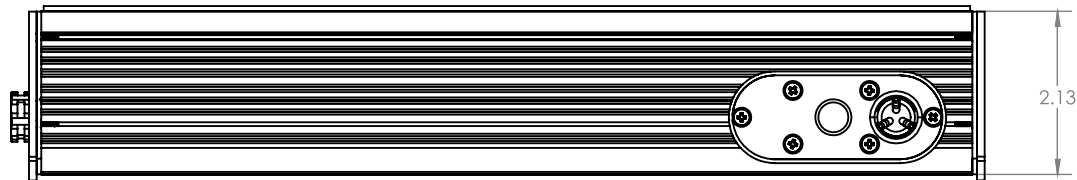
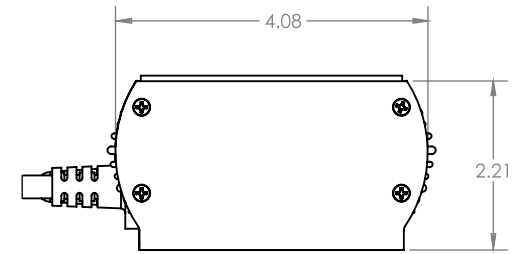


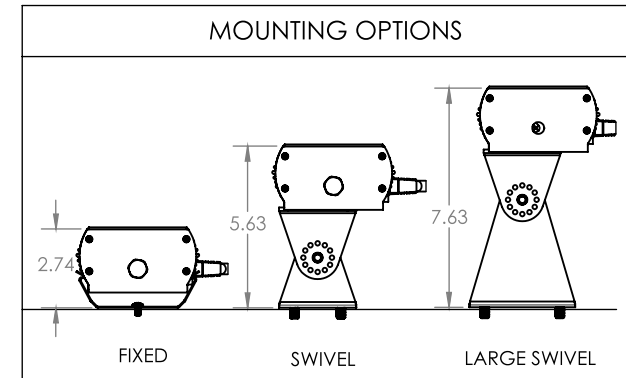
PLAN VIEW



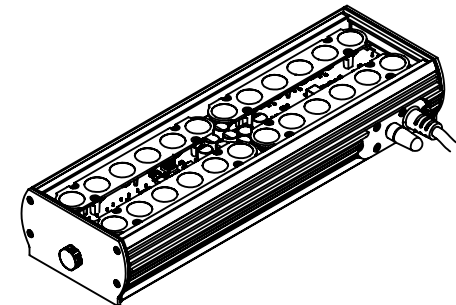
ELEVATION VIEW




END CAP



TECHNICAL DATA	
Parameter	Data
Power	33 Watts per linear ft.
Input Voltage	120Vac or 277Vac
Input Current per Linear Ft	288mA@120Vac 142mA@277Vac
Control	DMX512, Wireless DMX
Power Cable Length	UL Standard 6ft
LED Spacing	1" on center
Fixture Length	1ft, 2ft or 4ft
Fixture Width	4.29"
Total Height (not including clips)	2.14"
Mounting	Fixed, Swivel or Large Swivel
Available Optics	10°, 30°, 60°, 10°x 60°, 30°x 60°, 120°
Finish Options	Clear Anodized Aluminum
LED Color Options	RGB or White Mixing
Color Rendering Index	95 CRI (WM)
Ratings	Dry, IP65, IP68
Total Linear ft per 20A breaker	60ft@120Vac 120ft@277Vac
Total Linear ft per 15A breaker	45ft@120Vac 90ft@277Vac
Total Linear ft per Power Feed Transformer	Power Feed Wire Gauge Dependent N/A



 LED Lighting Systems, Technologies, & Manufacturing		PRODUCT NAME: HPFB		
		FILE NAME: TECHNICAL SHEET	PART #: HPFB	
508 South Military Trail Deerfield Beach FL, 33442		www.BocaFlasher.com (561) 989-5338	DRAWN BY: HYERI KANG	DATE: 03272020
THIS DOCUMENT IS CONFIDENTIAL AND PROTECTED BY COPYRIGHTS OF BOCA FLASHER INC.		DESIGN BY: LUIS ROSADO		
		APPROVED BY: M. PINDER		
SCALE:		SHEET: 1 OF 1	REV: B	