



SDS-DMX

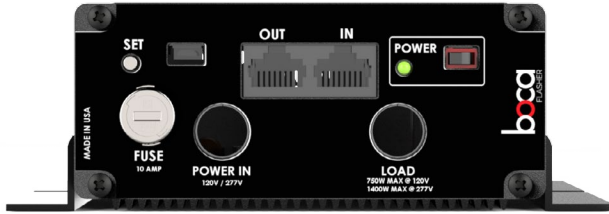
Boca Nano Router Family

Customer:

Date:

Type:

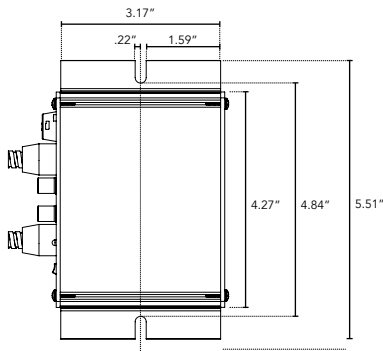
Project:



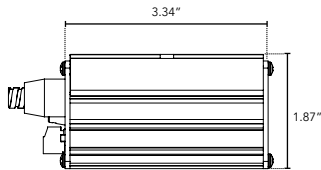
- The Boca Flasher SMART Dimmer DMX provides an interface with a DMX512 dimming protocol.
- Uses Micro-Step technology for a high-resolution dimming.
- Special Dimming curve programmed to match Human eye light intensity response and contrast sensitivity.
- Two Data Link options available: DMX-CAT6 and Wireless DMX
- Two output modulation protocols available: Forward Phase or Leading Edge and Reverse Phase or Trailing Edge.
- Three operational variations available: TE (Trailing Edge), LE (Leading Edge), AST (Auto-Sense Technology)

DIMENSIONS:

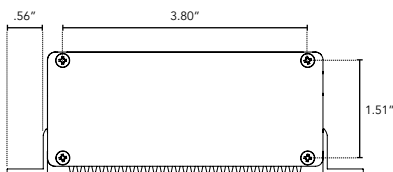
Plan View



Elevation View



End Cap



PRODUCT SPECIFICATIONS:

	INPUT CABLE	VOLTAGE	DIMMING	WIRING
Smart Dimmer	DMX512	120V-277V	TE Trailing Edge LE Leading Edge	EP Edison Plug HW Hard Wired

TECHNICAL SPECIFICATIONS:

INPUT VOLTAGE	120V-277V
INPUT PORT	DMX - CAT6 Wireless DMX
OUTPUT PORTS	DMX - CAT6
FREQUENCY	60HZ
TOTAL WIDTH	5.5"
TOTAL HEIGHT	2.0"
MAX LOAD	750 - 1300W Voltage Dependent

SDS-DMX

Boca Nano Router Family



MATRIX:

		CONTROLS											
		SDS10V	SDS-DMX	NDI-10V	NDT-10V	N-RFO	NanoRouter	NanoRouter-X	WA5	Monolink-W10V	MonoBoost	MonoDMXTX	PDMX-C
FIXTURES	NanoHD	●	●	●		●	●	●		●			
	NanoWarmDim	●	●	●		●	●	●		●			
	NanoLume	●	●	●		●	●	●		●			
	NanoX	●	●	●		●	●	●		●			
	HPNFC-HO	●	●										
	HPNLS-HO	●	●										
	HPNLS-LO	●	●										
	Lumeline	●	●										
	Niche-HV	●	●										
	SBL-MC	●	●										
	NanoMix						●	●					
	HPNLS-MIX						●	●					
	Tri-Light HV						●	●					
	NanoTune				●	●	●	●					
	HPCCS						●	●	●		●	●	●
	HPFB						●	●	●		●	●	●
	SBL-MIX						●	●	●		●	●	●
	N-RFO						●	●	●		●	●	●
	NanoRouter						●	●	●		●	●	●
	NanoRouter-X						●	●	●		●	●	●
	Monolink-W10V						●	●	●		●	●	●
	MonoBoost						●	●	●		●	●	●
	WA5												●
	SDS-DMX						●	●	●		●	●	●
	SDS-10V										●		