

DATE:	TYPE:	PROJECT:	CUSTOMER:



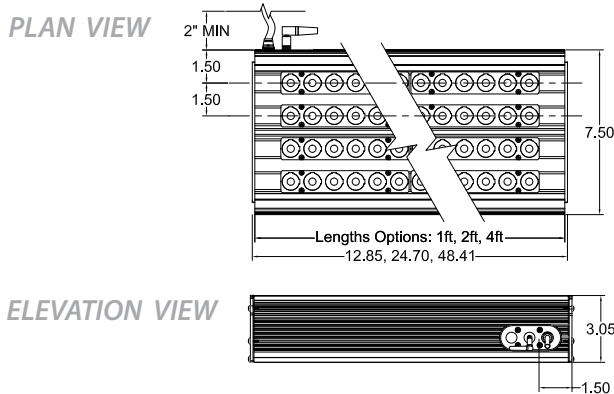
High Intensity Color or White LED Fixture

Dimmable high color changing line voltage fixture available with a variety of options. The Boca SBL-Mix is a powerful instrument developed for large-coverage illumination. This line voltage fixture eliminates the need for secondary transformers, making installation contractor friendly. The SBL-Mix uses Boca's patented technology for RGB additive color mixing. The housing is clear anodized aluminum with a durable finish making it weather and abrasion resistant. The SBL-Mix is UL Listed for dry, damp, or wet location (model dependent).

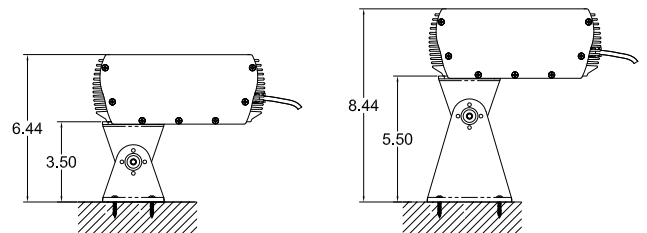
KEY FEATURES:

- Compact, variable light fixture for dry, damp or wet location use.
- Fixture comes in 1ft, 2ft and 4ft options.
- Many options in optics, color temperature and accessories to suit a range of projects. Call factory for additional options.
- Uses standard DMX 512 controls.
- 6 channel version available.
- Simple installation using conventional wiring.
- Contact Boca Flasher for tips with custom installations.

DIAGRAMS & DIMENSIONS:



MOUNTING INFORMATION:



TECHNICAL SPECIFICATIONS:

WATTAGE: 64 watts per linear ft.	TOTAL HEIGHT: 3.05"
INPUT VOLTAGE: 90-120VAC, 230-277VAC	MOUNTING: Swivel and large swivel bracket
DMX CABLE	COLOR OPTIONS: RGB or White mixing
LENGTH: Standard 5 ft. in/out.	OPTICS AVAILABLE: 10°, 24°, 36°, 10° x 45°, 120°
CONTROL: Standard DMX 512. Wireless DMX	RATING: IP65, IP68 (dry)
POWER CABLE: UL standard 6 ft.	WHITE MIXING
LED SPACING: 1" on center.	OPTIONS: 2700K, 3000K, 3500K, 5000K, amber
TOTAL LENGTH: 1 ft, 2 ft, 4 ft.	
TOTAL WIDTH: 7.50"	

PROJECT SPECIFICATIONS:

SBL	MIX			
COLOR OPTION:		OPTIC:		VOLTAGE:
RGB		10°, 24°, 36°, 10°x45, 120°		90-120VAC = 120V 230-277VAC = 277V
White Mixing = WM* (*See below)				
A				
FINISH: Clear Anodized Aluminum = A	LOCATION: Interior = I Exterior (IP65) = E Wet (IP68) = W	MOUNTING: Swivel=S Large Swivel=LS	OPTION:	
*WHITE MIXING OPTIONS:				
• If specifying RGBW indicate white options here:				
• Wht. options: 2700K, 3000K, 3500K, 4000K, 5000K, amber				
• Up to 3 different options can be specified				

