

DATE:	TYPE:	PROJECT:	CUSTOMER:



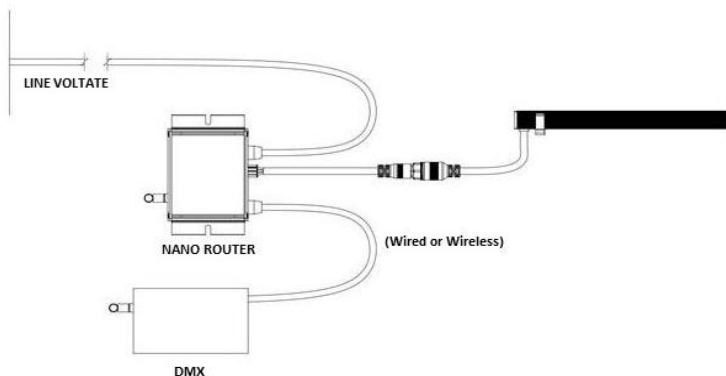
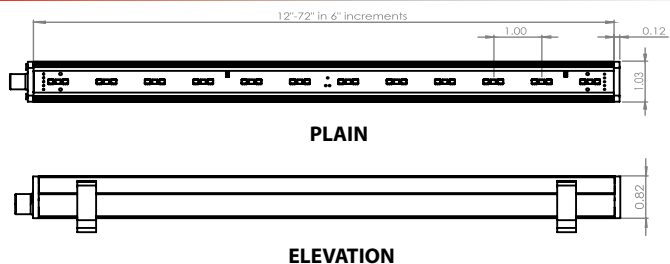
Tuneable White Light Line Voltage Small Profile Linear LED Fixture

Tuneable, dimmable white light fixture for those spaces where temperature adjustment is essential. The Boca NANOTUNE is the latest addition to the Boca NANOLUME family of products. The Two channel DMX fixture allows full-range control of desired CCT while delivering industry best quality white light in a compact housing. NANOTUNE utilizes Boca Flasher's wireless mesh network router array to ease any installation.

KEY FEATURES:

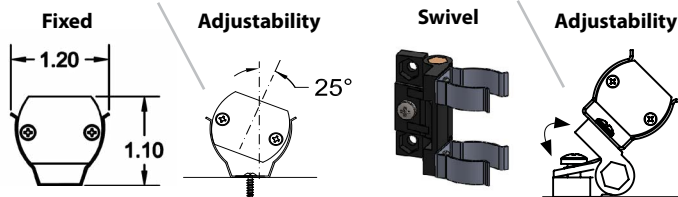
- Three diode array for precise white tuning.
- 2 channel control via Boca NanoRouter(DMX based).
- Compact, variable light fixture for dry location use only.
- Fixture comes in 6" increments (12" minimum).
- Many options and accessories to suit a range of projects.
- Integrates with Boca Wireless Router for ease of installation and control.
- Operates with standard 512 DMX controls.
- White or black finish, check factory for availability.
- Contact Boca Flasher for tips with custom installations.
- Total linear feet per power feed: 76 ft. @ 120V or 156 ft. @ 277V

DIAGRAMS & DIMENSIONS:



*Note: Attempting to aim more than 25° may cause fixtures to fall out of brackets.

*Note: Wide range of angle adjustable.



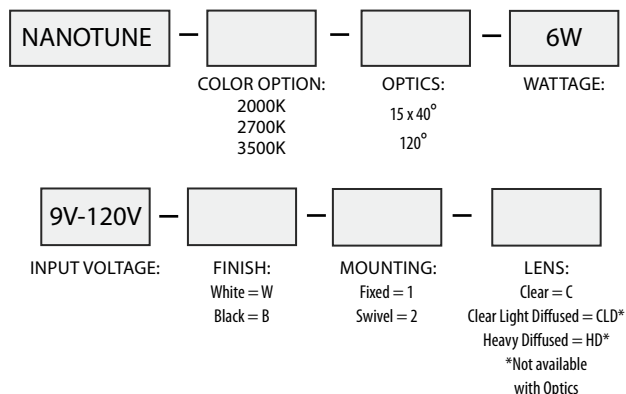
* For vertical installation please contact the factory for specific mounting Instructions.

* For installations above 4' please contact the factory.

TECHNICAL SPECIFICATIONS:

WATTAGE: 6 watts per linear ft.	MOUNTING: Swivel, Fixed
INPUT VOLTAGE: 90-120V	AVAILABLE OPTICS: 15x40°, 120°
CONTROL: 2-channel DMX (NanoRouter)	FINISH OPTICS: White or Black High temp ABS Plastic
POWER CABLE: UL Standard 6 ft.	LED COLOR
FIXTURE LENGTH: 12-72", in 6" increment	OPTIONS: 2000K, 2700K, 3500K
FIXTURE WIDTH: 1.04"	TOTAL LINEAR FT.
TOTAL HEIGHT: 0.82" (not including clip)	PER POWER FEED: 76ft. 2 120V
COLOR RENDERING	156ft. @ 277V
INDEX (CRI): 90 + CRI	

PROJECT SPECIFICATIONS:



We are constantly improving our fixtures and reserve the right to change options and specifications. For specific requirements, contact your Boca Flasher sales representative. This product complies with IES LM-79-08 testing procedures and relevant standards. NANOTUNE meets or exceeds Title 24 Compliance. >45 Lumens per Watt. For additional information and details visit our website at www.bocafasher.com. All products proudly manufactured in the USA. Boca Flasher, Inc. 508 South Military Trail, Deerfield Beach, Florida 33442 USA Phone: 561.989.5338 Fax: 561.982.8323 © 2017 Boca Flasher, Inc. All rights reserved. All names and trademarks are property of their respective owners. REV 02-2018

