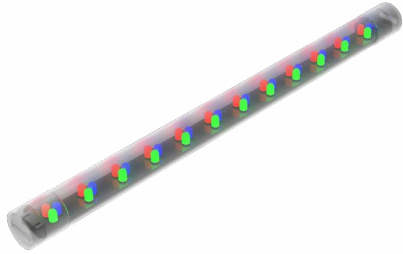


| | | | |
|-------|-------|----------|-----------|
| DATE: | TYPE: | PROJECT: | CUSTOMER: |
| | | | |



Color Changing Dimmable LED Light Strips

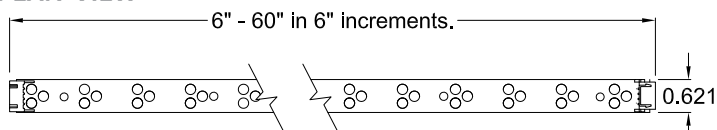
The Boca CSS-100 is designed for low power applications where energy consumption and size are the main concerns, but full color changing capabilities are desired. It offers seamless LED configuration, easy installation, and vibrant RGB color changing. The CSS-100 can be used with any DMX 512 controller and it uses Boca's patented technology for RGB additive color mixing. It is available in different housings for different uses, including underwater installations where IP68 is required.

KEY FEATURES:

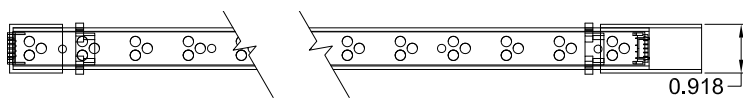
- Long runs have little to no gap in light.
- Compact, variable light fixture for dry, damp, or wet location use.
- Fixture comes in 6", 8" or 12" increments.
- Uses any standard DMX 512 controller.
- Requires Boca Box-m for Distribution & Control.
- Submersible housing available for underwater applications.
- Total linear feet per power feed: 10ft.
- Home run cable lengths: 25ft, 35ft and 45ft.
- CLASS 2 installation only.

DIAGRAMS & DIMENSIONS:

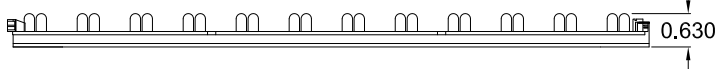
PLAN VIEW



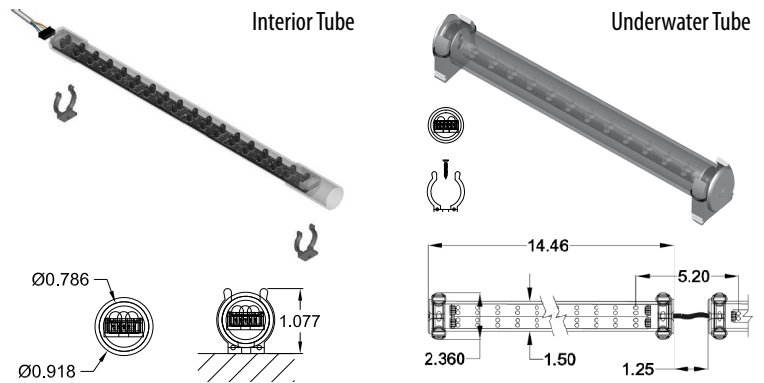
PLAN VIEW Mounted in Tube



ELEVATION VIEW



MOUNTING INFORMATION:

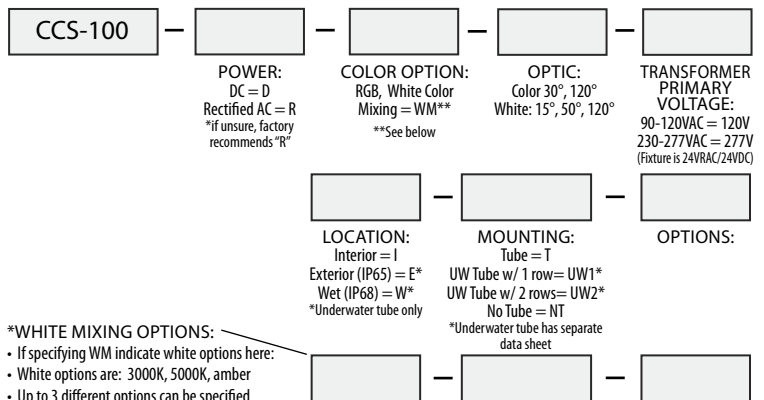


TECHNICAL SPECIFICATIONS:

| | |
|---|---|
| WATTAGE: 4 watts per linear ft. | TOTAL WIDTH: Not including tube 0.62" |
| INPUT VOLTAGE: 24VDC or 24VAC | TOTAL DIAMETER: Including tube 0.92" |
| CONTROL: DMX 512 Input* | MOUNTING: Tube, no tube, underwater tube. |
| LED SPACING: 1" on center. | COLOR OPTIONS: RGB, white color mixing. |
| LENGTH: 6" or 8" increments allow 1/8" for each end cap and 2" for power feed cable. | OPTICS AVAILABLE: Color 30°, 120°, White: 15°, 50°, 120° |
| | RATING: IP20, IP65, IP68 (underwater tube only) |

* Requires Boca Box-m

PROJECT SPECIFICATIONS:



We are constantly improving our fixtures and reserve the right to change options and specifications. For specific requirements, contact your Boca Flasher sales representative. This product complies with IES LM-79-08 testing procedures and relevant standards. CCS-100 meets or exceeds Title 24 Compliance. >45 Lumens per Watt. For additional information and details visit our website at www.bocaflasher.com. All products proudly manufactured in the USA. Boca Flasher, Inc. 508 South Military Trail, Deerfield Beach, Florida 33442 USA Phone: 561.989.5338 Fax: 561.982.8323 © 2017 Boca Flasher, Inc. All rights reserved. All names and trademarks are property of their respective owners. REV 02-2018

