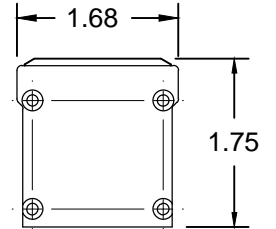
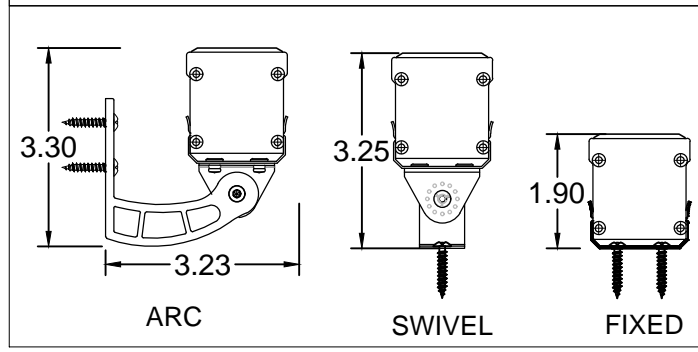


### TECHNICAL DATA

Wattage	8 watts plf (RGB) or 10 watts plf (RGBW)
Input Voltage	24 VDC
Input Current	400mA RMS plf (RGB) or 500mA plf (RGBW)
Control	IMCS box w/ Standard 512 DMX control
Power Cable Length	30ft
LED Spacing, per strip	.44" on center
Fixture Length	12"-96" in 6" increments
Fixture Width	1.68"
Total Height (not including clip)	1.75"
Mounting	Fixed, Swivel, or Arc
Available Optics	120°
Finish Options	Anodized Aluminum or Black
Color Options	TRIPLE DIODE RGB or RGB with White
Color Rendering Index	95 CRI (WM)
Ratings	Dry, IP65, IP68
Total linear ft per 20A Breaker	150ft RGB, 128ft RGBW @ 120V Primary 330ft RGB, 280ft RGBW @ 277V Primary
Total linear ft per 15A Breaker	112ft RGB, 96ft RGBW @ 120V Primary 240ft RGB, 210ft RGBW @ 277V Primary
Total linear ft per power feed	8ft RGB, 6ft RGBW
Transformer	Primary 120V or 277V Secondary 24V

**NOTE:** EACH HOME RUN IS RECOMMENDED TO RUN THROUGH A CONDUIT BEFORE LANDING INSIDE A J-BOX. (CONDUIT / BUSHINGS / J-BOX(S) NOT PROVIDED BY BOCA FLASHER). SEE INSTALLATION MANUAL FOR MORE INFORMATION.

### MOUNTING OPTIONS



3 TYPICAL END CAP  
SCALE: 6"=1'-0"



552 N.W. 77TH ST  
BOCA RATON, FL 33487

www.bocaflasher.com  
(561) 989-5338

THIS DOCUMENT IS CONFIDENTIAL AND PROTECTED BY COPYRIGHTS OF BOCA FLASHER INC.

## TRILIGHT

FILE NAME:	TECHNICAL SHEET	PART #:	TRILIGHT
DRAWN BY:	DEMMLER FILLINGER		02 / 26 / 13
DESIGN BY:	LUIS ROSADO		
APPROVED BY:	ANGELA TODD		
SCALE:	NTS	SHEET:	1 OF 1