

DATE:	TYPE:	PROJECT:	CUSTOMER:

## Triple Diode DMX Controlled Linear LED Fixture

**Dimmable, color mixing, low voltage fixture fabricated with a variety of options**

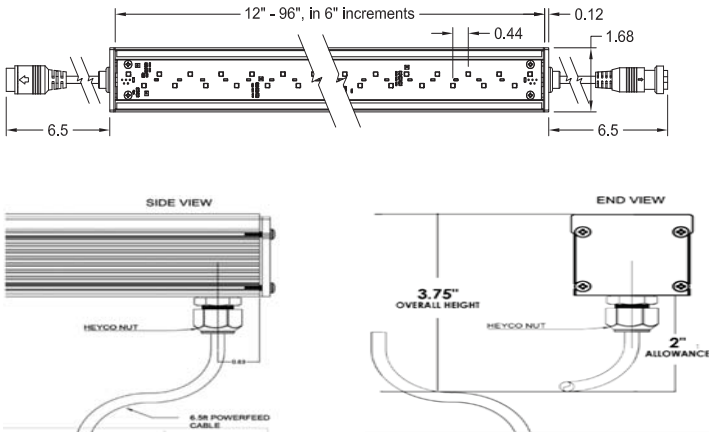
The Boca Flasher Tri-Light-HV is a small profile RGB color-changing fixture that is useful in many lighting situations where color mixing is needed and space is an issue. The Tri-Light-HV's triple diode, color mixing process creates an even wash for color mixing, even at short distances. It can be fabricated with a range of optics and accessories. The housing is anodized aluminum with durable finish making it weather and abrasion resistant. It is UL Listed for dry, damp or wet location (model department).



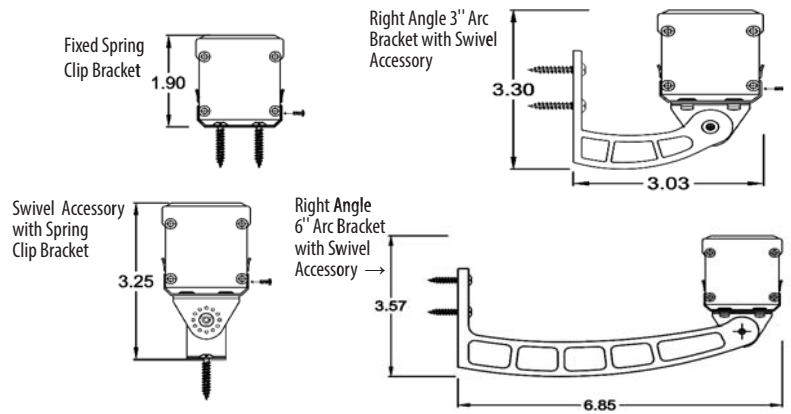
### KEY FEATURES:

- Triple diode ensures even color washing, even at short distances.
- Compact, variable light fixture for dry, damp or wet location use.
- Fixture comes in 6" increments (12" minimum).
- Many options in optics and accessories to suit a range of projects (call factory for additional options).
- Three different types of lenses.
- Can use standard 512 DMX controls.
- Clear anodized aluminum or black finish, check factory for availability.
- Contact Boca Flasher for tips with custom installations.
- Total linear feet per power feed: 8 ft. RGB, 6 ft. RGBW

### DIAGRAMS AND DIMENSIONS:



### MOUNTING INFORMATION:



\*For installations above 4' please contact the factory.

### TECHNICAL SPECIFICATIONS:

WATTAGE:	12W Max, software controlled	TOTAL WIDTH:	1.68"
INPUT VOLTAGE:	120VAC	TOTAL HEIGHT:	1.80" (not including clip)
INPUT CURRENT PER LINEAR FT:	400mA/ft. RGB 500mA/ft. RGBW	MOUNTING:	Fixed, swivel, or ARC
CONTROL:	NANOROUTER* w/ standard DMX512	OPTIONS:	Triple diode RGB or triple diode RGB w/ white option
POWER CABLE:	30 ft.	OPTICS AVAILABLE:	120°
LED SPACING:	1.00"	RATINGS:	DRY, IP65, IP68
LENGTH:	12" - 96", 6" Increment	COLOR RENDERING INDEX (CRI):	95 CRI (WM)

\* Patent Pending

### PROJECT SPECIFICATIONS:

