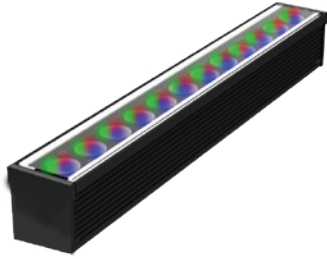


DATE: _____ TYPE: _____ PROJECT: _____ CUSTOMER: _____



Triple Diode DMX Controlled Linear LED Fixture

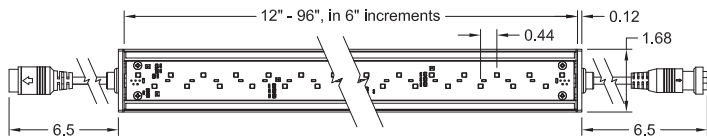
The Boca Flasher Tri-Light is a small profile RGBW color changing fixture that is useful in many lighting situations where color mixing is needed and space is an issue. The TriLight's triple diode color mixing process creates an even wash for color mixing, even at short distances. It can be fabricated with a range of optics and accessories. The housing is anodized aluminum with a durable finish making it weather and abrasion resistant. It is UL Listed for dry, damp or wet location (model dependent).

KEY FEATURES:

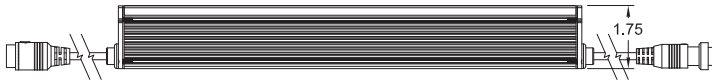
- Triple diode ensures even color washing even at short distances.
- Compact, variable light fixture for dry, damp or wet location use.
- Fixture comes in 6" increments (12" minimum)
- Many options in accessories to suit a range of projects.
- Three different types of lenses.
- Can use standard 512 DMX controls.
- Clear anodized aluminum or black finish. Check factory for availability.
- Total linear feet per power feed: 8ft.

DIAGRAMS & DIMENSIONS:

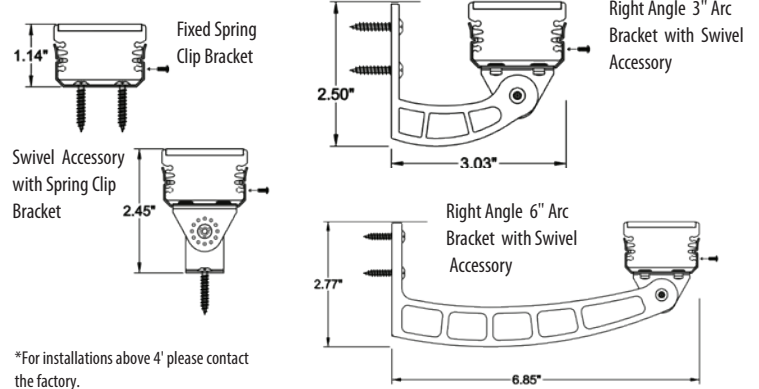
PLAN VIEW



ELEVATION VIEW



MOUNTING INFORMATION:



TECHNICAL SPECIFICATIONS:

WATTAGE: 8 watts per linear ft for RGB 10 watts per linear ft for RGBW	TOTAL WIDTH: 1.68"
INPUT VOLTAGE: 24VAC	TOTAL HEIGHT: Not including clip 1.75"
CONTROL: IMCS box w/ standard DMX512 control.	MOUNTING: Fixed, swivel, 3" arc or 6" arc.
POWER CABLE: 30ft home run cable.	COLOR OPTIONS: Triple diode RGB, or triple diode RGB w/ white option.
LED SPACING: .44" on center.	OPTICS AVAILABLE: 120°
LENGTH: 1ft, 2ft, 4ft.	RATING: IP65, IP68.
	COLOR RENDERING INDEX (CRI): ----

PROJECT SPECIFICATIONS:

Tri-Light	—	120°	—	
COLOR OPTION: Triple diode RGB = 1 RGB with white = 2		OPTIC:		FINISH: Clear Anodized Aluminum = A Black = B
	—		—	
LOCATION: Interior = I Exterior (IP65) = E Wet (IP68) = W		MOUNTING: Fixed = F Swivel = S Arc = A		OPTION:
	—		—	
		LENS: Clear = C Diffused = D Satin Ice White = S1* *Interior Use Only		