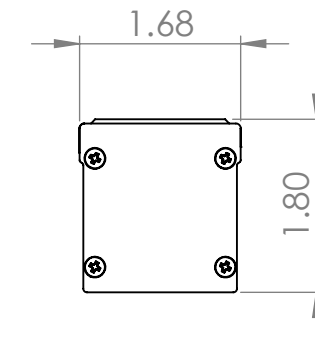


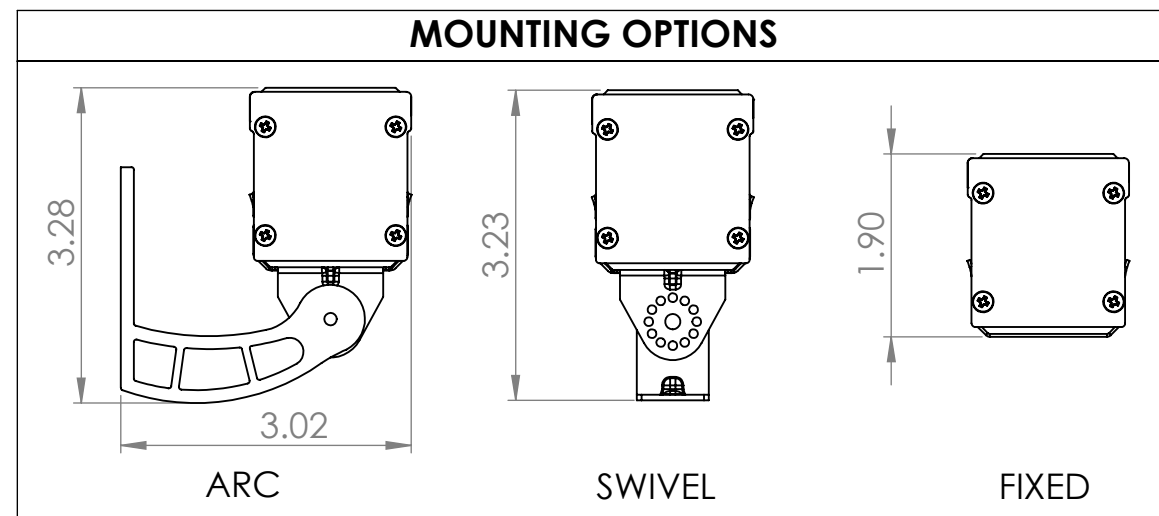
**1 PLAN VIEW**



**3 END VIEW**



**2 ELEVATION VIEW**



TECHNICAL DATA	
Parameter	Data
Wattage	12W Max, software controlled
Input Voltage	120VAC
Input Current per Linear Ft	190mA/ft
Control	NanoRouter
Power Cable Length	30ft
LED Spacing	1.00"
Fixture Length	12" - 96" IN 6" INCREMENTS
Fixture Width	1.68"
Total Height (not including clip)	1.80"
Mounting	Fixed, Swivel or ARC
Available Optics	120°
Finish Options	Clear Anodized Aluminum or Black
LED color Options	TRIPLE DIODE RGB OR TRIPLE DIODE RGB WITH WHITE OPTION
Color Rendering Index	95 CRI (WM)
Ratings	Dry, IP65, IP68
Total linear ft per 20A breaker	104ft
Total linear ft per 15A breaker	78ft
Total linear ft per power feed	26ft

**BOGA  
FLASHER**  
LED Lighting Systems, Technologies & Manufacturing

508 South Military Trail  
Deerfield Beach, FL 33442

WWW.BOCAFLASHER.COM  
(561) 989-5338

**PROPRIETARY AND CONFIDENTIAL**  
THE INFORMATION CONTAINED IN THIS DRAWING IS THE SOLE PROPERTY OF BOCAFLASHER. ANY REPRODUCTION IN PART OR AS A WHOLE WITHOUT THE WRITTEN PERMISSION OF BOCAFLASHER IS PROHIBITED.

DESCRIPTION			
TRI-LIGHT-HV			
FILE NAME: TECHNICAL SHEET	PART NUMBER : BF-TRILIGHTHV		
DRAWN BY	JEONG PARK	7/24/2017	
CHECKED BY	ERIC ZUNIGA	7/24/2017	
SIZE	DWG. NO.	REV	UPDATED
<b>B</b>			JULY 2017
SCALE 1:2	WEIGHT:	SHEET 1 OF 1	