

## SMART Dimmer 0-10V

DATE:	TYPE:	PROJECT:	CUSTOMER:



### BOCA DIMMER FAMILY: 0-10 VOLT

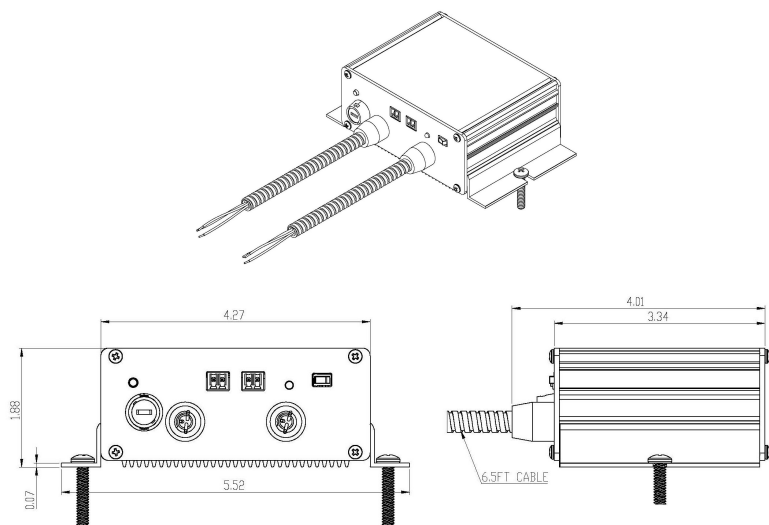
The Boca Flasher SMART Dimmer 0-10V provides an interface with a dimming protocol of 0-10 volts. Our patent pending technology changes the paradigm of lighting control. With the ease of a switch, the 10 Volt Dimmer enables the luminaires and controls to evenly dim with precise configuration with no flickering. It's perfect for Boca Flasher LED systems such as the Boca HPNLS, HPNFC, NANOLUME and many other Boca Flasher LED lighting products.

#### KEY FEATURES:

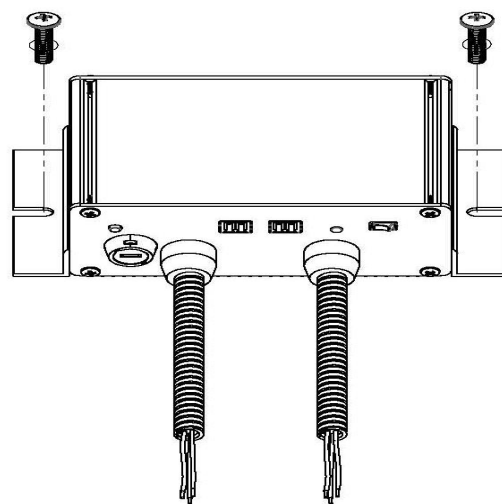
- Used for Boca Flasher's HPNLS, HPNFC, NANOLUME and other line voltage products.
- Anodized aluminum housing.
- Easy Installation.

- Contact Boca Flasher for use with OEM fixture needs.
- Contact Boca Flasher for tips with custom installations.

#### DIAGRAMS & DIMENSIONS:



#### MOUNTING INFORMATION:



#### TECHNICAL SPECIFICATIONS:

INPUT VOLTAGE:	120V - 277VAC	HOUSING LENGTH:	4.25"
INPUT PORT:	0 - 10V	HOUSING LENGTH WITH MOUNTING:	5.5"
OUTPUT PORT:	0 - 10V	DIMMING CONTROL:	Trailing edge or *leading edge (* upon request)
FREQUENCY:	60HZ	MOUNTING:	Brackets w/ screws optional
TOTAL WIDTH:	5.5"	POWER CABLE:	UL standard 6.5 ft.
TOTAL HEIGHT:	2.0"	MODE:	0 - 10V
MAX LOAD:	750-1300 W (voltage dependent)	RATING:	IP60 (interior only)

#### PROJECT SPECIFICATIONS:

