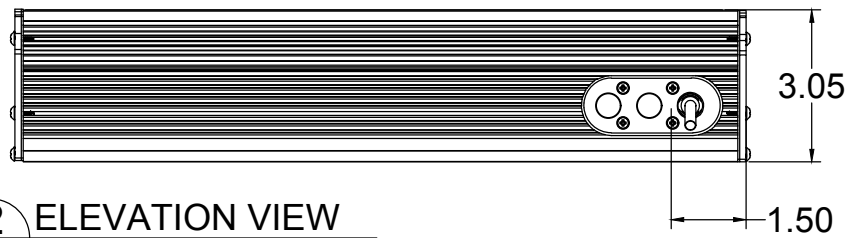
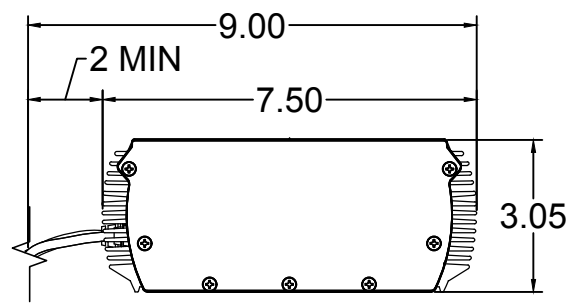


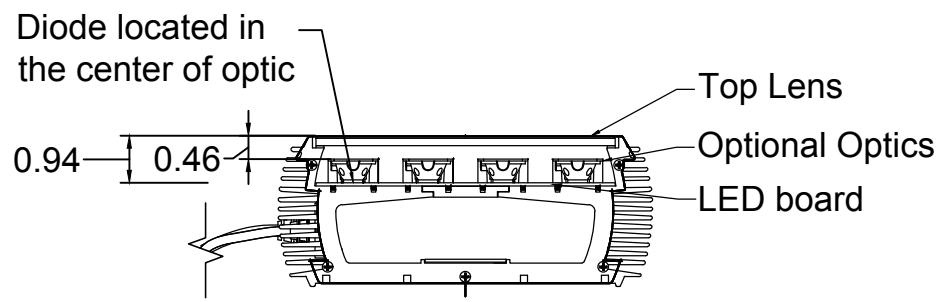
**1 PLAN VIEW**  
SCALE: 3"=1'-0"



**2 ELEVATION VIEW**  
SCALE: 3"=1'-0"

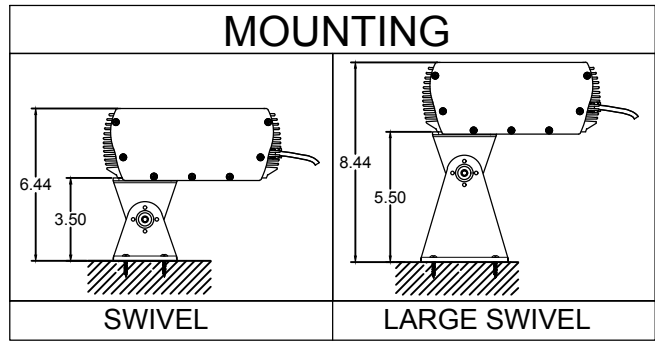


**3 END CAP**  
SCALE: 3"=1'-0"



**4 SECTION**  
SCALE: 3"=1'-0"

TECHNICAL DATA	
Parameter	Data
Power	48 watts per linear ft.
Input Voltage	90-120V or 230-277V
Input Current per Linear Ft	400mA@120V or 180mA@277V
Control	Leading-edge/Trailing-edge line dimmer
Power Cable Length	UL Standard 6ft
LED Spacing	1" x 1.5" on center
Fixture Length	1ft, 2ft, or 4ft
Fixture Width	7.50"
Total Height (not including clip)	3.05"
Mounting	Swivel and Large Swivel Bracket
Available Optics	10°, 24°, 36°, 10°x45° (r, g, b), 120°
Finish Options	Clear Anodized Aluminum
LED Color Options	27K,30K,35K,40K,50K,Amber,Red,Green,Blue
Color Rendering Index	90+ CRI
Ratings	Dry, IP65, IP68
Total linear ft per 20A breaker	40ft@120V or 90ft@277V
Total linear ft per 15A breaker	30ft@120V or 65ft@277V
Total linear ft per Power Feed	10ft@120V or 22ft@277V
Transformer	N/A



**BOCA FLASHER**

LED Lighting Systems, Technologies & Manufacturing

508 SO. MILITARY TRL.  
DEERFIELD BEACH, FL 33442

www.bocaflasher.com  
(561) 989-5338

THIS DOCUMENT IS CONFIDENTIAL AND PROTECTED BY COPYRIGHTS OF BOCA FLASHER INC.

**SBL-MC**

FILE NAME:	TECHNICAL SHEET	PART #:	SBL-MC
DRAWN BY:	STEPHANIE BURKE		02 / 11 / 14
DESIGN BY:	LUIS ROSADO		
APPROVED BY:	ANGELA TODD		
SCALE:	NTS	SHEET:	1 OF 1