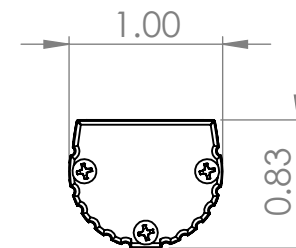


1 PLAN VIEW

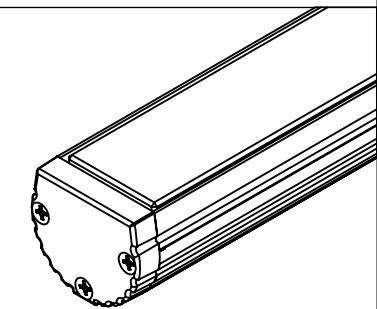


2 ELEVATION VIEW

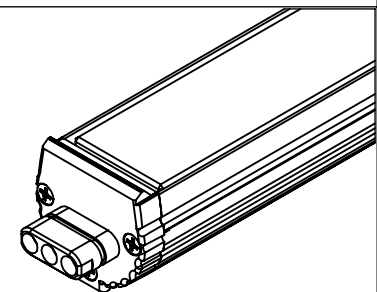


3 END VIEW

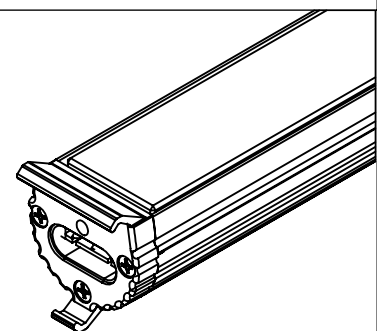
END CAP CONDITIONS



CLOSED END (CE)

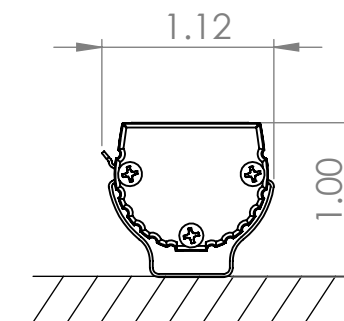


FEMALE (F)



MALE (M)

MOUNTING OPTIONS



TECHNICAL DATA	
Parameter	Data
Wattage	6 Watts per linear ft.
Input Voltage	90-120V or 230-277V
Input Current per Linear Ft	54mA@120V or 24mA@277V
Control	Leading-edge/Trailing-edge line dimmer
Power Cable Length	UL Standard 6ft
LED Spacing	0.67" on center
Fixture Length	12", 24", 48"
Fixture Width	1.00"
Total Height (not including clip)	0.83"
Mounting	Fixed clip
Available Optics	120°
Finish Options	Anodized aluminum
LED color Options	20K, 24K, 27K, 30K, 35K, 40K, 50K, 65K
Color Rendering Index	90+ CRI
Ratings	Dry, Wet
Total linear ft per 20A breaker	210ft@120V or 470ft@277V
Total linear ft per 15A breaker	156ft@120V or 350ft@277V
Total linear ft per power feed	76ft@120V or 156ft@277V
Transformer	N/A



 LED Lighting Systems, Technologies & Manufacturing

508 South Military Trail
 Deerfield Beach, FL 33442

WWW.BOCAFLASHER.COM
 (561) 989-5338

PROPRIETARY AND CONFIDENTIAL
 THE INFORMATION CONTAINED IN THIS DRAWING IS THE SOLE PROPERTY OF BOCAFLASHER. ANY REPRODUCTION IN PART OR AS A WHOLE WITHOUT THE WRITTEN PERMISSION OF BOCAFLASHER IS PROHIBITED.

DESCRIPTION			
NANOX			
FILE NAME: TECHNICAL SHEET		PART NUMBER : BF-NANOLUMEEEX	
DRAWN BY	JEON PARK	7/24/2017	
CHECKED BY	ERIC ZUNIGA	7/24/2017	
SIZE	DWG. NO.	REV	UPDATED
B		A	JULY 2017
SCALE 4:5		WEIGHT:	SHEET 1 OF 1