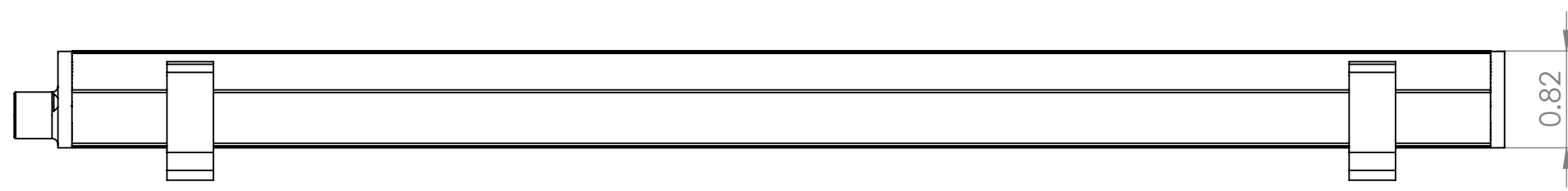
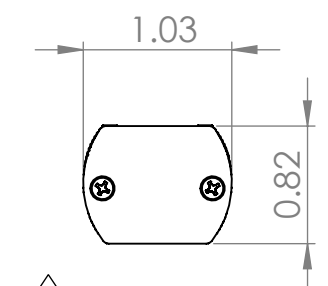


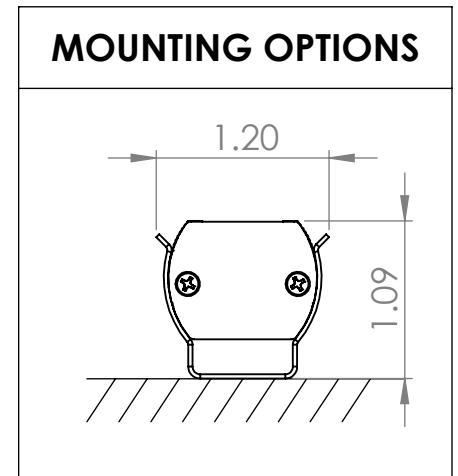
**1 PLAN VIEW**



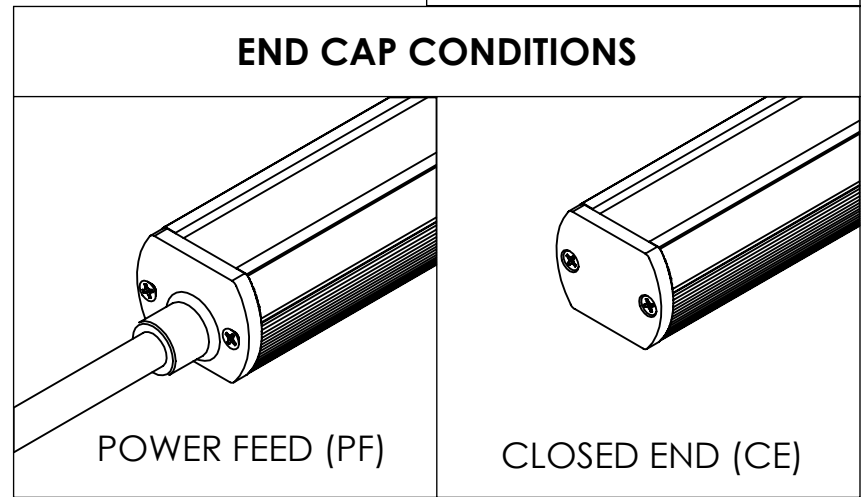
**2 ELEVATION VIEW**



**3 END VIEW**



**MOUNTING OPTIONS**



**END CAP CONDITIONS**

TECHNICAL DATA	
Parameter	Data
Wattage	6 watts per linear ft.
Input Voltage	90-120V or 230-277V
Input Current per Linear Ft	54mA@120V or 24mA@277V
Control	2-channel DMX (NanoRouter)
Power Cable Length	UL Standard 6ft
LED Spacing	1" on center
Fixture Length	12"-72", in 6" increment
Fixture Width	1.04"
Total Height (not including clip)	0.82"
Mounting	Fixed clip
Available Optics	120°
Finish Options	White or Black high temperature ABS Plastic
LED color Options	Variable (20-35K)
Color Rendering Index	90+ CRI
Ratings	Dry
Total linear ft per 20A breaker	210ft@120V or 470ft@277V
Total linear ft per 15A breaker	156ft@120V or 350ft@277V
Total linear ft per power feed	76ft@120V or 156ft@277V
Transformer	N/A

508 South Military Trail  
Deerfield Beach, FL 33442

WWW.BOCAFLASHER.COM  
(561) 989-5338

**PROPRIETARY AND CONFIDENTIAL**  
THE INFORMATION CONTAINED IN THIS DRAWING IS THE SOLE PROPERTY OF BOCAFLASHER. ANY REPRODUCTION IN PART OR AS A WHOLE WITHOUT THE WRITTEN PERMISSION OF BOCAFLASHER IS PROHIBITED.

DESCRIPTION			
NANOTUNE			
FILE NAME: TECHNICAL SHEET	PART NUMBER :		
DRAWN BY	JEONG PARK	7/24/2017	
CHECKED BY	ERIC ZUNIGA	7/25/2017	
SIZE	DWG. NO.	REV	UPDATED
<b>B</b>		A	JULY 2017
SCALE 3:4	WEIGHT:	SHEET 1 OF 1	