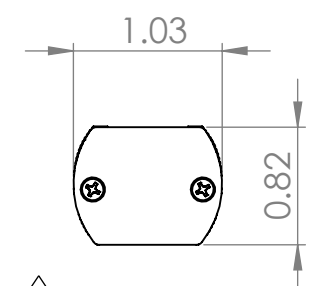


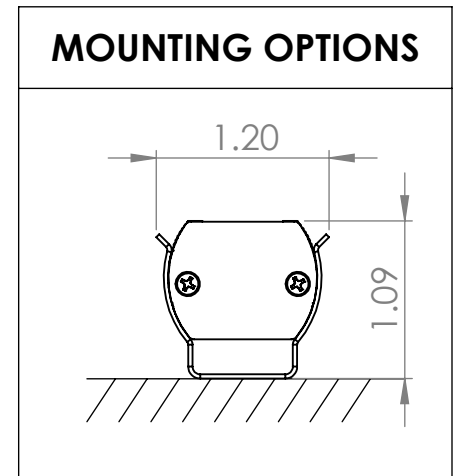
1 PLAN VIEW



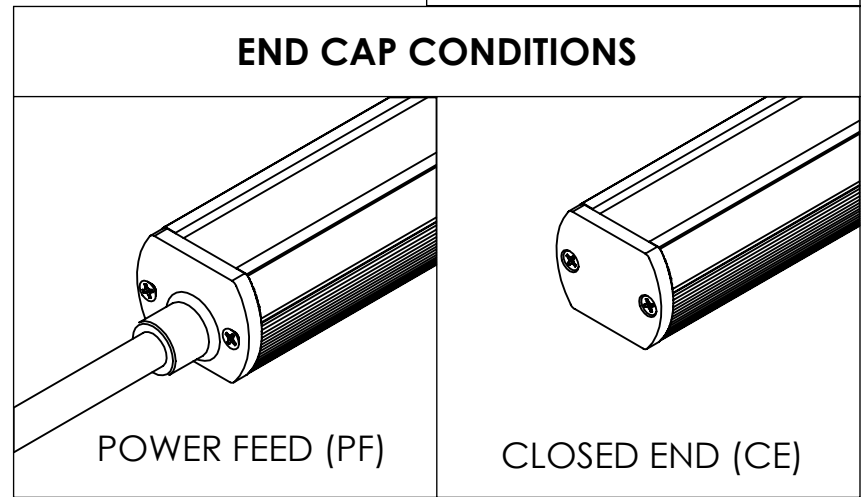
2 ELEVATION VIEW



3 END VIEW



MOUNTING OPTIONS



END CAP CONDITIONS

TECHNICAL DATA	
Parameter	Data
Wattage	8W software controlled
Input Voltage	90-120V
Input Current per Linear Ft	120mA@120V
Control	NanoRouter
Power Cable Length	UL Standard 6ft
LED Spacing	1.0" on center
Fixture Length	12"-72", in 6" increment
Fixture Width	1.03"
Total Height (not including clip)	0.82"
Mounting	Fixed clip
Available Optics	24°, 120°
Finish Options	White or Black high temperature ABS Plastic
LED color Options	RGBW (20K, 24K, 27K, 30K, 35K, 40K, 50K, 65K)
Color Rendering Index	90+ CRI
Ratings	Dry
Total linear ft per 20A breaker	160ft@120V
Total linear ft per 15A breaker	120ft@120V
Total linear ft per power feed	30ft@120V
Transformer	N/A

508 South Military Trail
Deerfield Beach, FL 33442

WWW.BOCAFLASHER.COM
(561) 989-5338

PROPRIETARY AND CONFIDENTIAL
THE INFORMATION CONTAINED IN THIS DRAWING IS THE SOLE PROPERTY OF BOCAFLASHER. ANY REPRODUCTION IN PART OR AS A WHOLE WITHOUT THE WRITTEN PERMISSION OF BOCAFLASHER IS PROHIBITED.

DESCRIPTION			
NANOMIX			
FILE NAME: TECHNICAL SHEET	PART NUMBER : BF-NANOLUMEMIX		
DRAWN BY	JEONG PARK	7/24/2017	
CHECKED BY	ERIC ZUNIGA	7/25/2017	
SIZE	DWG. NO.	REV	UPDATED
B		A	JULY 2017
SCALE 3:4	WEIGHT:	SHEET 1 OF 1	