

DATE:	TYPE:	PROJECT:	CUSTOMER:



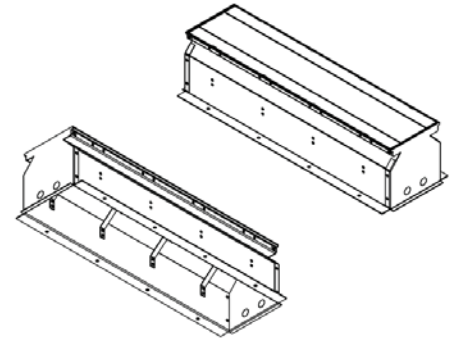
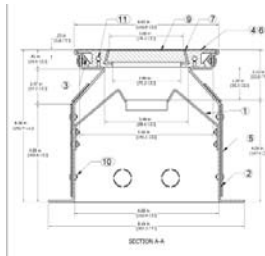
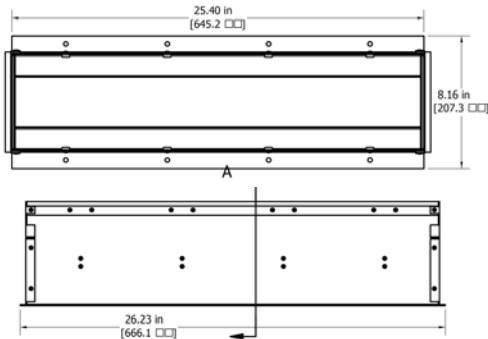
### Inground, Recessed LED Light Chamber Recessed Aluminum Structure for Maximum Weight/Traffic Applications

The Boca InGrade is a rugged aluminum structure designed to protect various Boca Flasher products in underground applications. It is compatible with the HPNLS, Lumeline and many more Boca Flasher products in a variety of arrangements. It installs into pavement, and is contractor friendly. Structure is made from high-yielding aluminum with a protective tempered glass, set to Boron Silicate for maximum durability. The InGrade is perfect for high traffic walkways, malls, parking facilities, government facilities, civic center and much more. Call our factory for underground limitations.

#### KEY FEATURES:

- Medium Duty Vehicle Load - Class 6 defined as a vehicle with a gross weight of: 11.75 tons. (26,000lbs)
- High heel load - 300lbs High heel size: 10 mm diameter Area: 78.54 mm<sup>2</sup> (0.122in<sup>2</sup>)
- Glass set to Boron Silicate
- Glass: 33 MPA
- Highest Stress on Glass: 25 MPA
- Aluminum for the frame: 6061-T6.
- Aluminum: 276 MPA Yield
- Aluminum: 310 MPA Ultimate
- Corrosion Resistant Rivets
- Copper Blind Rivets with Steel Mandrel
- Maximum Stress: 75.7 MPA - Found on the
- Aluminum structure that holds the glass.
- Stress well below Yield
- Housing for dimmable Boca Flasher products

#### DIAGRAMS & DIMENSIONS:



\* For installations above 4' please contact the factory.

#### TECHNICAL SPECIFICATIONS:

AVAILABLE LENGTHS:	12", 24", 48"
COMPATIBLE LIGHT FIXTURES:	HPNLS, Tri-Light, Lumeline
MINIMUM DRAINAGE RATES:	12" (0.064 gal./min.), 24" (0.119 gal./min.), 48" (0.231 gal./min.)
GROUND MATERIALS:	Gravel, concrete with drainage system
MAXIMUM WEIGHT:	3,000 lbs. (over average car tire)
RATINGS:	Dry, IP65, IP 68