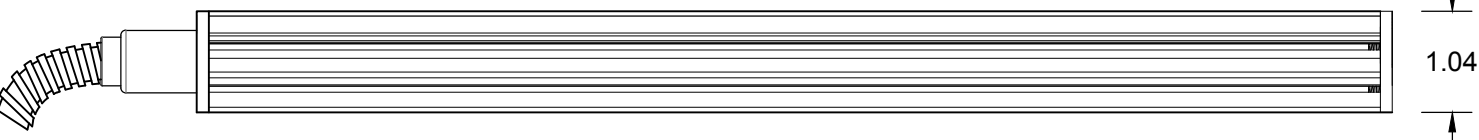
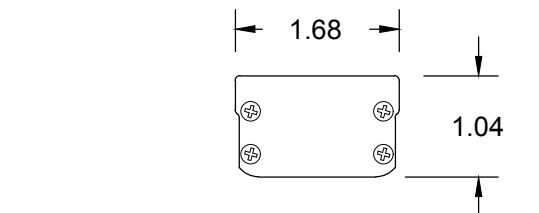


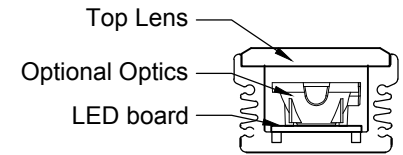
1 PLAN VIEW
SCALE: 6"=1'-0"



2 ELEVATION VIEW
SCALE: 6"=1'-0"

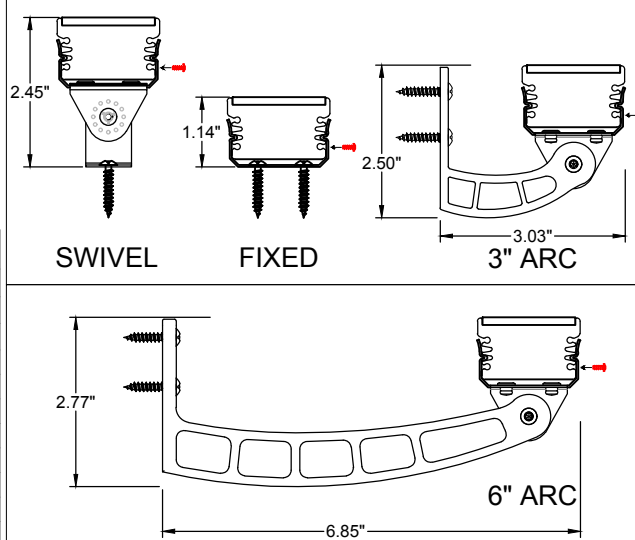


3 END CAP
SCALE: 6"=1'-0"

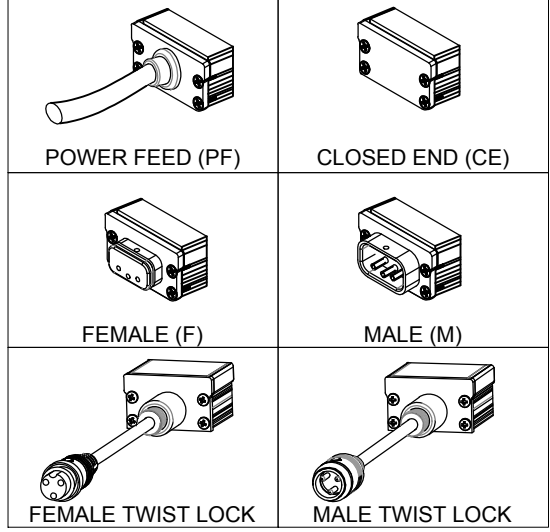


4 SECTION
SCALE: 6"=1'-0"

MOUNTING OPTIONS



END CAP CONDITIONS



TECHNICAL DATA

Parameter	Data
Power	10 watts per linear ft
Input Voltage	90-120V or 230-277V
Input Current per Linear Ft	88mA@120V or 40mA@277V
Control	Leading-edge/Trailing-edge Line Dimmer
Power Cable Length	UL Standard 6ft
LED Spacing	1.5" on center
Fixture Length	12"-96", in 6" increment
Fixture Width	1.68"
Total Height (not including clip)	1.04"
Mounting	Fixed, Swivel, 3" Arc Bracket & 6" Arc Bracket
Available Optics	10°, 30°, 60°, 10°x60°, 30°x60°, 120°
Finish Options	Clear or Black Anodized Aluminum
LED Color Options	27K,3K,35K,4K,5K,Amber,Red,Green,Blue
Color Rendering Index	90+ CRI
Ratings	Dry, IP65, IP68
Total linear ft per 20A breaker	128ft@120V or 280ft@277v
Total linear ft per 15A breaker:	96ft@120V or 210ft@277v
Total linear ft per power feed	56ft@120V or 120ft@277v
Transformer	N/A



508 So. Military Trl. www.bocaflasher.com
DEERFIELD BEACH, FL 33442 (561) 989-5338

HPNFC - H08

FILE NAME:	TECHNICAL SHEET	PART #:	HPNFC-H08
DRAWN BY:	DEMMLER FILLINGER		04 / 24 / 13
DESIGN BY:	LUIS ROSADO		04 / 24 / 13
APPROVED BY:	ANGELA TODD		04 / 24 / 13
SCALE:	NTS	SHEET:	1 OF 1

THIS DOCUMENT IS CONFIDENTIAL AND PROTECTED BY COPYRIGHTS OF BOCA FLASHER INC.