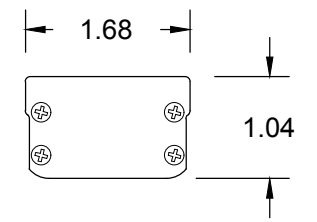
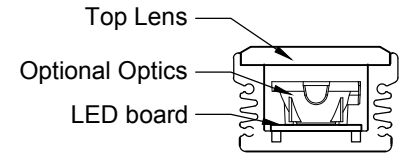


1 PLAN VIEW  
SCALE: 6"=1'-0"

2 ELEVATION VIEW  
SCALE: 6"=1'-0"

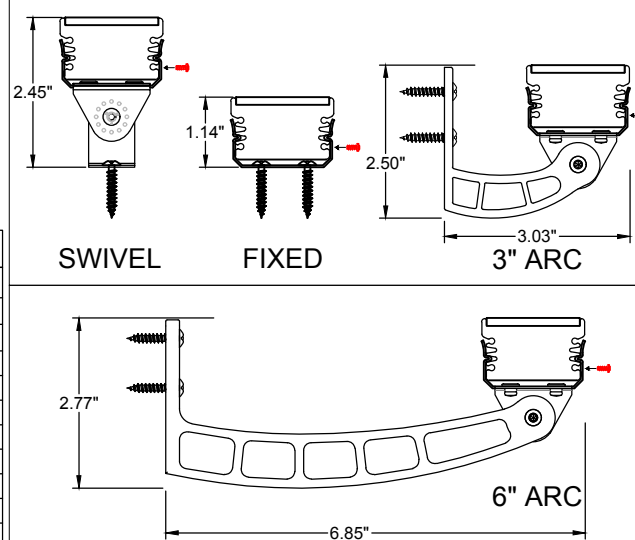


3 END CAP  
SCALE: 6"=1'-0"

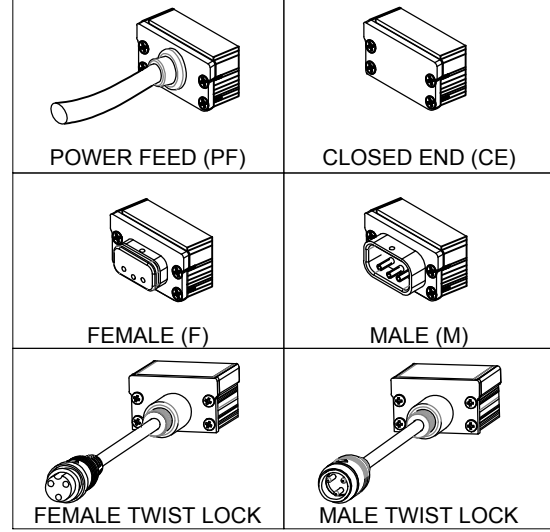


4 SECTION  
SCALE: 6"=1'-0"

### MOUNTING OPTIONS



### END CAP CONDITIONS



### TECHNICAL DATA

Parameter	Data
Wattage	8 watts per linear ft
Input Voltage	Line Voltage, 90-120V or 230-277V
Input Current per Linear Ft	72mA@120V or 34mA@277V
Control	Leading-edge Trailing-edge Line Dimmer
Power Cable Length	UL Standard 6ft
LED Spacing	2" on center
Fixture Length	12"-96", in 6" increment
Fixture Width	1.68"
Total Height (not including clip)	1.04"
Mounting	Fixed, Swivel, 3" Arc Bracket & 6" Arc Bracket
Available Optics	10°, 30°, 60°, 10°x60°, 30°x60°, 120°
Finish Options	Clear or Black Anodized Aluminum
LED Color Options	27K, 3K, 35K, 4K, 5K, Amber, R, G, B
Color Rendering Index	90+ CRI
Ratings	Dry, IP65, IP68
Total linear ft per 20A breaker	150ft@120V or 330ft@277v
Total linear ft per 15A breaker:	112ft@120V or 240ft@277v
Total linear ft per power feed	70ft@120V or 144ft@277v
Transformer	N/A



508 So. Military Trl.  
DEERFIELD BEACH, FL 33442  
www.bocafasher.com  
(561) 989-5338

### HPNFC - HO6

FILE NAME:	TECHNICAL SHEET	PART #:	HPNFC-HO6
DRAWN BY:	DEMMLER FILLINGER		05 / 15 / 13
DESIGN BY:	LUIS ROSADO		05 / 15 / 13
APPROVED BY:	ANGELA TODD		05 / 15 / 13
SCALE:	NTS	SHEET:	1 OF 1

THIS DOCUMENT IS CONFIDENTIAL AND PROTECTED BY COPYRIGHTS OF BOCA FLASHER, INC.