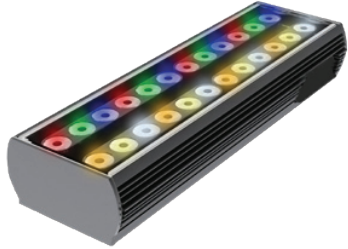


DATE:	TYPE:	PROJECT:	CUSTOMER:



Medium Profile Color Changing LED Fixture

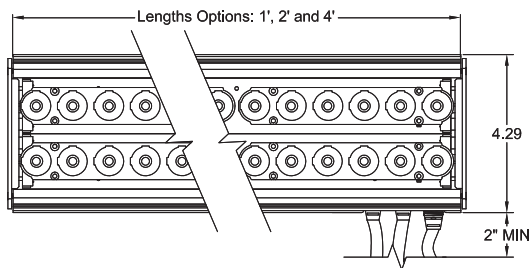
Dual row DMX controlled six channel RGB fixture. The Boca Flasher HPFB is a dual row fixture that uses Boca Flasher's patented technology for RGB additive color mixing technology. This line voltage RGB fixture eliminates the need for locating remote secondary transformers, making installation contractor friendly. The housing is clear anodized aluminum with a durable finish ensuring it is weather and abrasion resistant. It is UL Listed for dry or damp or wet location (model dependent).

KEY FEATURES:

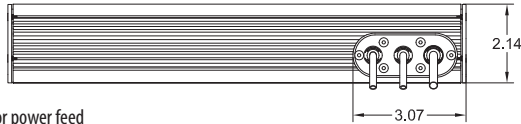
- Fixture uses high intensity LED's in a variety of color combinations.
- Compact, rugged, linear fixture easily integrates into many applications.
- Many options in optics, color temperature and accessories.
- Simple installation process using conventional wiring.
- Clear lens.
- Uses standard DMX 512 controls.
- Contact Boca Flasher for tips with custom installations.

DIAGRAMS & DIMENSIONS:

PLAN VIEW

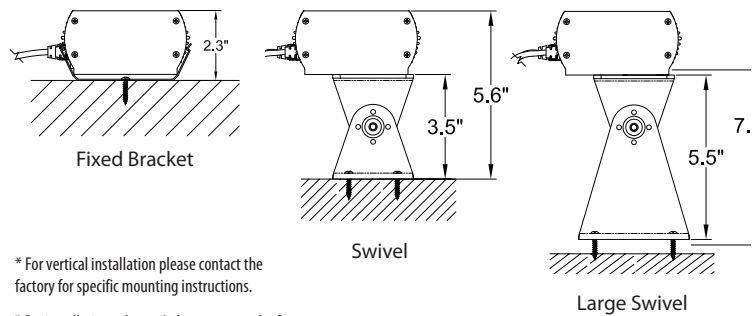


ELEVATION VIEW



*Fixture is shown with interior power feed

MOUNTING INFORMATION:



* For vertical installation please contact the factory for specific mounting instructions.

* For installations above 4' please contact the factory.

PROJECT SPECIFICATIONS:

HPFB	—	COLOR OPTION: RGB color & white=RGBW* (see below)	—	OPTIC: 10°, 24°, 36°, 10° x 45°, 120°	—	VOLTAGE: 90-120 VAC = 120V 230-277 VAC = 277V	—	A	FINISH: Clear Anodized Aluminum = A
	—	LOCATION: Interior = I Exterior (IP65) = E Wet (IP68) = W	—	MOUNTING: Fixed = F Swivel = S Large Swivel = LS	—	LENS: Clear = C *Diffused = D *Interior Use Only			
*WHITE MIXING OPTIONS: • If specifying RGBW indicate white options here. • White options are: 2700K, 3000K, 3500K, 4000K, 5000K, amber. • Up to three different options can be specified.									

TECHNICAL SPECIFICATIONS:

WATTAGE:	33 watts per linear ft.	TOTAL HEIGHT:	Not including clip 2.14"
INPUT VOLTAGE:	120 VAC or 277 VAC	MOUNTING:	fixed, swivel, 3" arc or 6" arc.
CONTROL:	Standard DMX 512	COLOR OPTIONS:	RGB, RGBW
POWER CABLE:	UL standard 6.5 ft.	OPTICS AVAILABLE:	10°, 30°, 60°, 10° x 60°, 120°
LED SPACING:	1.0" on center.	RATING:	IP68
LENGTH:	1 ft., 2 ft. or 4 ft.	COLOR RENDERING INDEX (CRI):	Standard 5 ft. in/out
TOTAL WIDTH:	4.29"		

