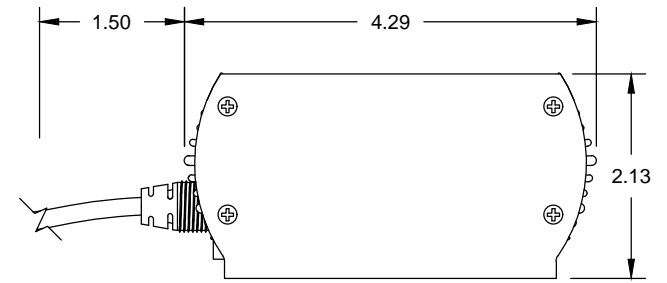
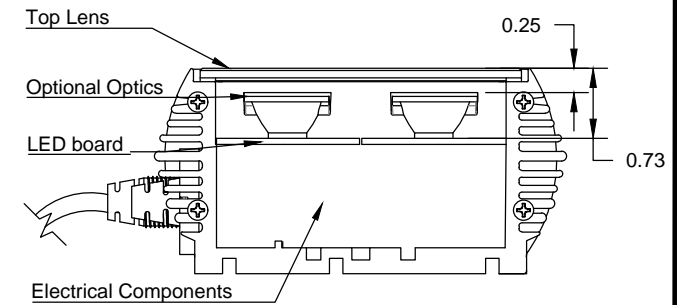


**1 PLAN VIEW**  
SCALE: 6"=1'-0"

**2 ELEVATION VIEW**  
SCALE: 6"=1'-0"



**3 END CAP**  
SCALE: 6"=1'-0"

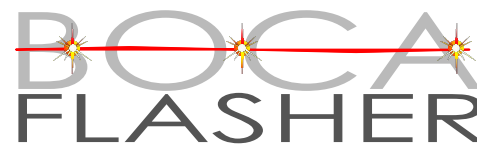
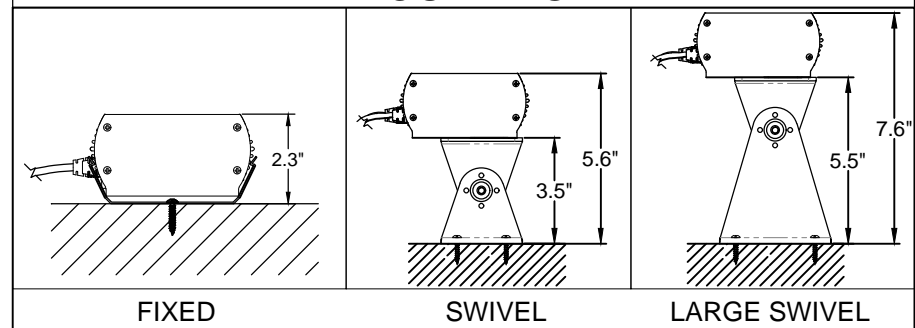


**4 SECTION**  
SCALE: 6"=1'-0"

### TECHNICAL DATA

Wattage	33 watts per linear foot
Input Voltage	Line Voltage, 90-120V or 230-277V
Input Current RGB, RGBW	288mA RMS per linear ft 142mA@277Vac
Input Current WM	220mA RMS per linear ft
Control	Standard 512 DMX, Wireless DMX
Power Cable Length	UL Standard 6.5ft (DMX 5ft in/out)
LED Spacing	1" on center
Fixture Length	1ft, 2ft or 4ft
Fixture Width	4.29"
Total Height (not including clip)	2.14"
Mounting	Fixed, Swivel or Large Swivel
Available Optics	10°, 24°, 36°, 10°x45°, 120°
Finish Options	Clear Anodized Aluminum
Color Options	RGB or White Mixing
Color Rendering Index (CRI)	95 CRI
Ratings	Dry, IP65, IP68
Total linear ft per 20A breaker	60ft @ 120Vac 120ft @277Vac
Total linear ft per 15A breaker	45ft @ 120Vac 160ft @277Vac
Transformer	No transformer required. Fixture is Line Voltage

### MOUNTING



LED Lighting Systems, Technologies & Manufacturing

552 N.W. 77TH ST  
BOCA RATON, FL 33487

www.bocafletcher.com  
(561) 989-5338

### HPFB

FILE NAME:	TECHNICAL SHEET	PART #:	HPFB
DRAWN BY:	ANGELA TODD		05 / 13 / 15
DESIGN BY:	LUIS ROSADO		
APPROVED BY:	ANGELA TODD		
SCALE:	NTS	SHEET:	1 OF 1