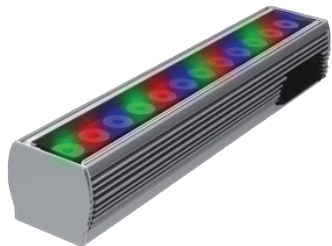


DATE:	TYPE:	PROJECT:	CUSTOMER:



Small Profile Color Changing LED Fixture

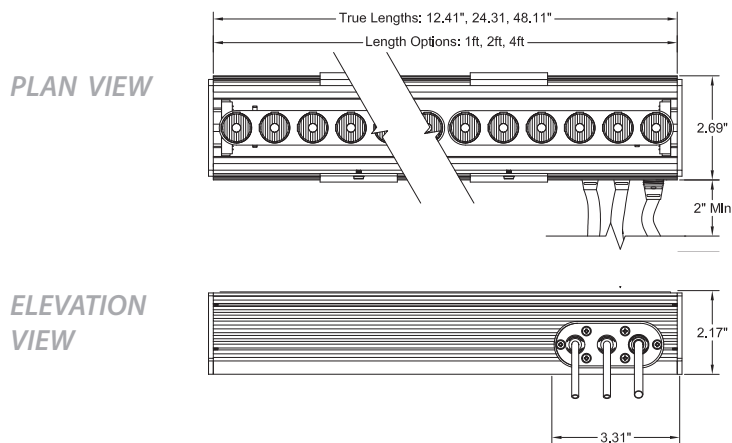
DMX controlled 3-Channel Fixture. The Boca Flasher HPCCS is a small profile fixture well suited for many lighting situations where both space and locating transformers are concerns, but color changing is desired. This 3-channel, line voltage version eliminates the need for secondary transformers, making installation contractor friendly. The housing is a clear anodized aluminum with a durable finish making it weather and abrasion resistant. It is UL Listed for dry or damp/wet location (model dependent).

KEY FEATURES:

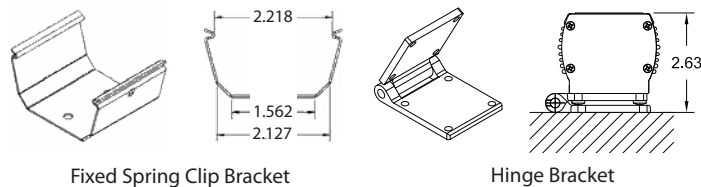
- Compact, rugged, linear fixture easily integrates into many applications.
- Now available with triple diode RGB boards (not available with optics).
- Many options in optics, color temperature, and accessories to.
- Simple installation using conventional wiring.

- Clear lens.
- EMI Filter integral.
- Uses standard DMX 512 controls.
- Contact Boca Flasher for tips with custom installations.

DIAGRAMS & DIMENSIONS:



MOUNTING INFORMATION:



Lightsource Report

White w/Clear Glass Lens

CIE Colorimetric Parameters CCT: Tc = 3088K

Photometric Parameters

Luminous Flux: 634.40 lm
Efficiency: 59.46 lm/W

White w/Clear Glass Lens

RGBW w/Clear Glass Lens CCT: Tc = 4392K

Photometric Parameters

Luminous Flux: 922.16 lm
Efficiency: 34.65 lm/W

*For installations above 4' please contact the factory.

TECHNICAL SPECIFICATIONS:

WATTAGE: 16 watts per linear ft.	TOTAL HEIGHT: Not including clip 2.11"
INPUT VOLTAGE: 90-120 VAC or 230-277 VAC	MOUNTING: Fixed or hinge.
CONTROL: Standard DMX 512	COLOR OPTIONS: Alternating RGB, triple die RGB, white mixing.
POWER CABLE: UL standard 6 ft.	OPTICS AVAILABLE: 10°, 24°, 36°, 10° x 45°, 120°
LED SPACING: 1.0" on center.	RATING: IP65, IP68
LENGTH: 1 ft., 2 ft. or 4 ft.	COLOR RENDERING INDEX (CRI): Standard 5 ft. in/out
TOTAL WIDTH: 2.70"	

PROJECT SPECIFICATIONS:

HPCCS	—	—	—	—	A
COLOR OPTION: RGB Triple Diode=TRGB 120° only White mixing = WM* (see below)	OPTIC: 10°, 24°, 36°, 10° x 45°, 120°	VOLTAGE: 90-120 VAC = 120V 230-277 VAC = 277V	FINISH: Clear Anodized Aluminum = A		
LOCATION: Interior = I Exterior (IP65) = E Wet (IP68) = W	MOUNTING: Fixed = F Hinge = H	LENS: Clear = C *Diffused Lens = D *Interior Use Only			
<p>*WHITE MIXING OPTIONS:</p> <ul style="list-style-type: none"> • If specifying WM indicate white options here: • White options are: 2700K, 3000K, 3500K, 4000K, 5000K, amber • Up to 3 different options can be specified • This option is in lieu of RGB. 					