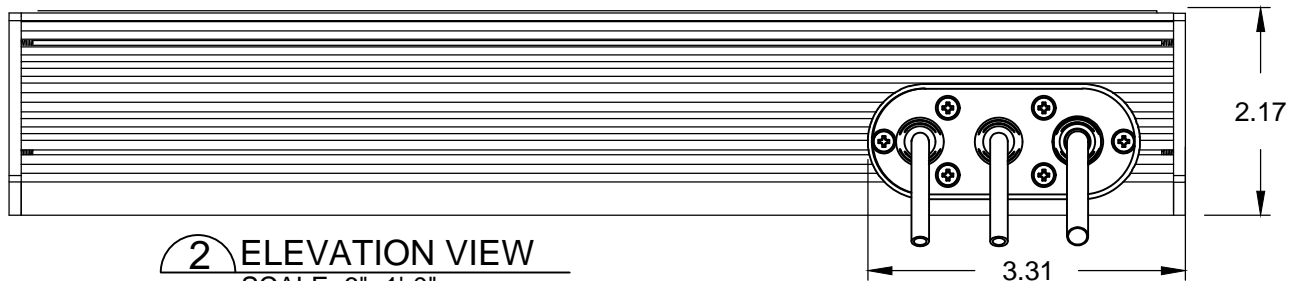
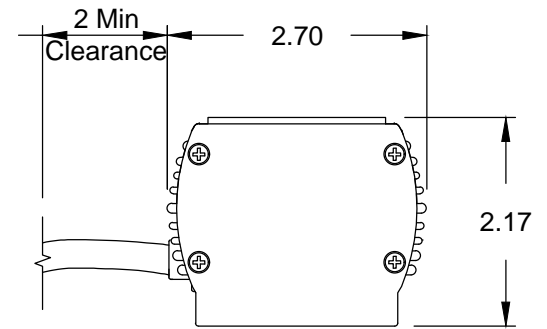


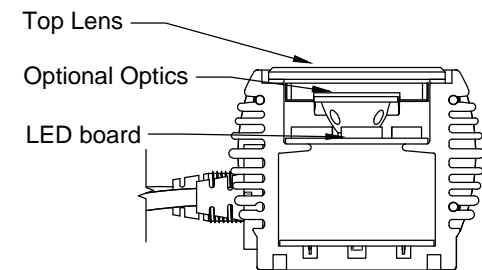
1 PLAN VIEW
 SCALE: 6"=1'-0"



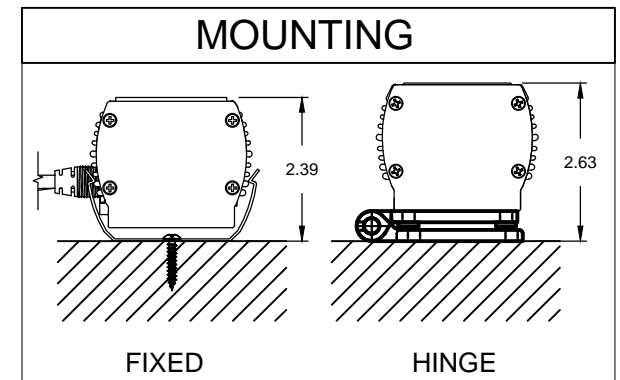
2 ELEVATION VIEW
 SCALE: 6"=1'-0"



3 END CAP
 SCALE: 6"=1'-0"



4 SECTION
 SCALE: 6"=1'-0"



TECHNICAL DATA

Wattage	18watts per linear foot
Input Voltage	Line Voltage, 90-120V or 230-277V
Input Current RGB, RGBW	272mA RMS per linear ft
Input Current WM	272mA RMS per linear ft
Control	Standard 512 DMX
Power Cable Length	UL Standard 6.5ft (DMX 5ft in/out)
LED Spacing	1" on center
Fixture Length	1ft, 2ft or 4ft
Fixture Width	2.70"
Total Height (not including clip)	2.17"
Mounting	Fixed Bracket or Hinge Bracket
Available Optics	10°, 24°, 36°, 10°x45°, 120°
Finish Options	Clear Anodized Aluminum
Color Options	RGB, Triple diode RGB, White Mixing
Color Rendering Index (CRI)	95 CRI (WM), RGB N/A
Ratings	Dry, IP65, IP68
Total linear ft per 20A breaker	90 feet@120Vac
Total linear ft per 15A breaker	67 feet@120Vac 160 feet@277Vac
Transformer	No transformer required. Fixture is Line Voltage

BOCA FLASHER

LED Lighting Systems, Technologies & Manufacturing

552 N.W. 77TH ST
 BOCA RATON, FL 33487

www.bocafletcher.com
 (561) 989-5338

THIS DOCUMENT IS CONFIDENTIAL AND PROTECTED
 BY COPYRIGHTS OF BOCA FLASHER INC.

HPCCS

FILE NAME: TECHNICAL SHEET PART #: HPCCS

DRAWN BY: STEPHANIE BURKE 04 / 18 / 13

DESIGN BY: LUIS ROSADO

APPROVED BY: ANGELA TODD

SCALE: NTS SHEET: 1 OF 1