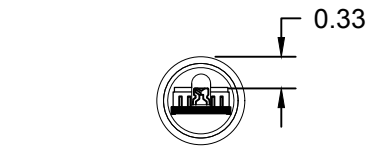
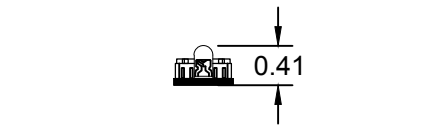


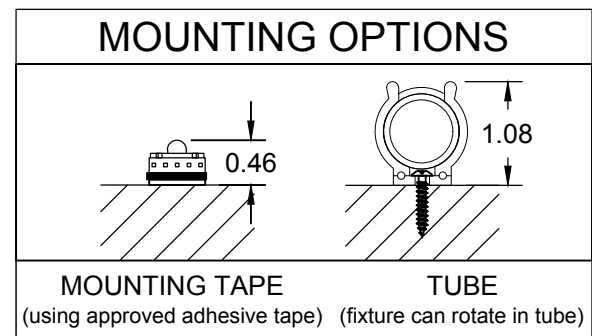
4 END CAP
SCALE: 6"=1'-0"



5 SECTION IN TUBE
SCALE: 6"=1'-0"



6 SECTION- NO TUBE
SCALE: 6"=1'-0"



TECHNICAL DATA	
Wattage	2.5W per lft. for 20° or 50°, 3W for 120°
Input Voltage	24 VDC or 24 VAC.
Input Current	90mA RMS per linear ft
Control	Standard Magnetic Low Voltage Dimming
Home Run Cable Length	25ft, 35ft or 45ft (Job Specific)
LED Spacing, per strip	0.5", on center
Fixture Length	4" increments (white, b, g), 6" increments (r, a)
Fixture Width	.62"
Total Height (not including tube)	.41"
Mounting	Tube, Underwater Tube, No Tube
Available Optics	20°, 50°, 120°, or 30° (amber, r, g, b only)
Color Options	3K, 5K, amber, red, green, blue
Color Rendering Index (CRI)	80 CRI
Ratings	Dry, IP65, IP68
Total linear ft per 20A breaker	175 feet
Total linear ft per 15A breaker:	146 feet
Transformer	Primary 120V or 277V, Secondary 24V
Total linear ft per power run	40ft

REV 04082019

LED Lighting Systems, Technologies, & Manufacturing

508 South Military Trail Deerfield Beach FL, 33442

www.BocaFlasher.com (561) 989-5338

THIS DOCUMENT IS CONFIDENTIAL AND PROTECTED BY COPYRIGHTS OF BOCA FLASHER INC.

AC100 - Single Row

FILE NAME:	TECHNICAL SHEET	PART #:	AC100-1
DRAWN BY:	DEMMLER FILLINGER		08 / 09 / 12
DESIGN BY:	LUIS ROSADO		
APPROVED BY:	ANGELA TODD		
SCALE: NTS		SHEET:	1 OF 1