

# BOCCA

## FLASHER

LED Lighting Systems, Technologies & Manufacturing 

Installation Manual

## **SBL-MC**



**WARNING: DO NOT LIFT FIXTURE BY CABLES.**  
**Do not attempt to install or use the SBL-MC fixture**  
**without reading the installation instructions and**  
**safety labels completely.**

This could result in permanent damage to both the fixture and the cables. Damage resulting from grasping cables and/or putting undue pressure on the cable connections will not be covered under the warranty!

**FAILURE TO ADHERE TO THESE INSTRUCTIONS COULD RESULT IN SERIOUS**  
**INJURY OR PROPERTY DAMAGE.**  
**DO NOT MODIFY, ALTER OR ATTEMPT TO SERVICE THE SBL-MC.**  
**DOING SO WILL VOID THE WARRANTY.**

High Powered Solid Color Washer

### Introduction:

The Boca SBL-MC is a powerful instrument developed for large-coverage illumination. This line voltage\* fixture eliminates the need for secondary transformers, making installation contractor friendly. The housing is anodized aluminum with a durable finish making it weather and abrasion resistant. The SBL-MC is UL Listed for dry, damp, or wet location (model dependent).

### Maintenance:

**CLEANING** Dry and Damp (IP65) Rated Fixtures:

Use a soft cloth, clean surface with mild soap and water.

Wet (IP68) Rated Fixtures:

To clean surface use a soft cloth with mild soap and water.

**STORAGE** Store in a dry, well-ventilated area when product is not in use.

Keep the electrical cord away from heated surfaces when in use or not in use.

If cord shows signs of damage do not use, return product to manufacturer.

**Fixtures must be installed by a qualified and licensed electrician in accordance with all national, state and local electrical codes and regulations. If any part of this manual does not meet the necessary codes and regulations, contact the factory for more information before attempting to install.**

### Electrical Specifications:

Input Voltage: 90-120VAC or 230-277VAC

1. Total linear ft. per 20A breaker: 32 ft.
2. Total linear ft. per 15A breaker: 24 ft.
3. Input Current: 400mA RMS per linear ft.



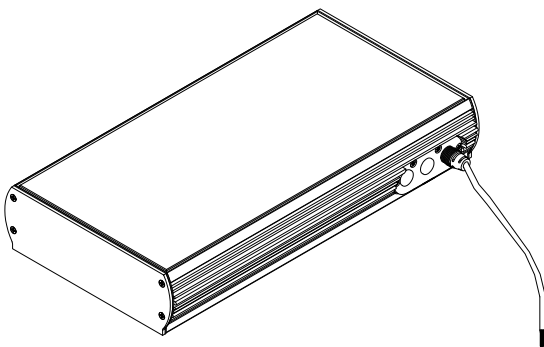
Max temp: 55C  
Min. temp: -40C

Model Dependent

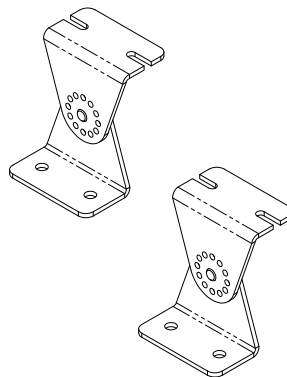
**Turn Power Off At Circuit Breaker Before Beginning Installation!  
DO NOT LIFT FIXTURE BY CABLES!**

### INCLUDED IN THIS PACKAGE:

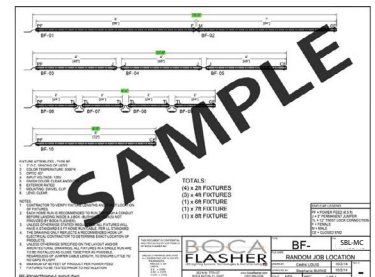
- 1 SBL-MC (solid color) Fixture**  
(In lengths shown on job specific drawings)



- 2 Mounting Brackets**  
(2 brackets per fixture)



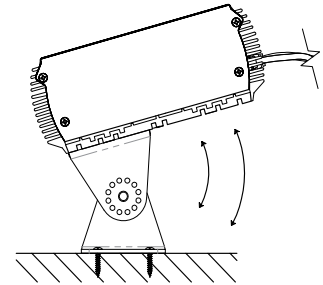
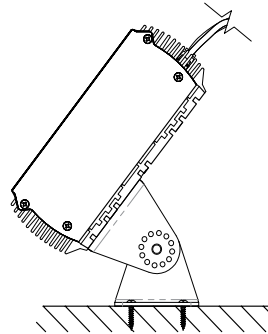
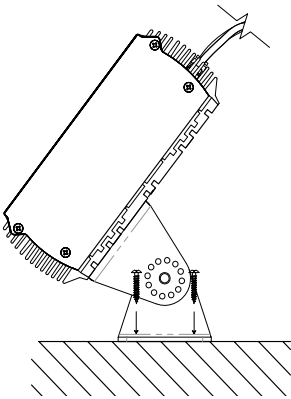
- 3 Job Specific Drawings**



### 1. INSTALL CLIPS INTO SUBSTRATE

**1a** Use four screws (not provided by Boca Flasher) to secure the brackets to the substrate.

**1b** Loosen center hinge pin and adjust angle of fixture to focus required. Tighten pin to hold the focus.



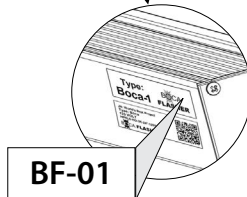
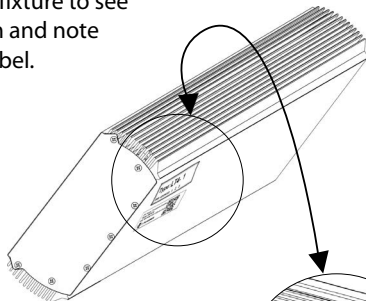
#### Screw Information:

1. Screws are NOT provided by Boca Flasher, Inc.
2. Boca Flasher recommends wide washer flat head Philips screws not to exceed 0.418" in diameter.
3. Length of screw will vary depending on mounting surface.
4. For outdoor installations, installer should use a screw with weather-proof coating.

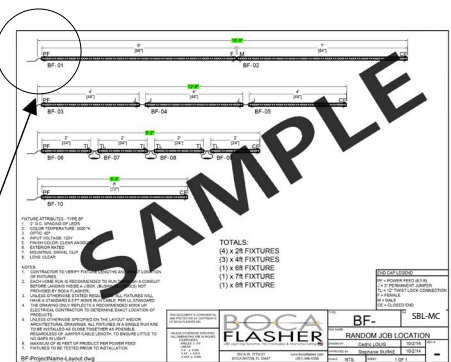
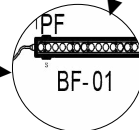
### 2. INSTALL HINGE CLIPS

**2a** Rotate fixture to see bottom and note each label.

**2b** Cross-reference with job specific drawing.



Labels on fixtures correspond with nomenclatures on drawings.



\*For vertical installation, please contact the factory for specific mounting instructions.

## **IMPORTANT SAFETY REMINDERS:**

### **1. DANGER:**

To reduce the risk of electric shock, always unplug the SBL-MC from electrical outlet before cleaning. Cut breaker if outlet is not available.

### **2. To reduce the risk of burns, fire, electric shock or injury to persons:**

- Use the SBL-MC only for its intended use as described in these instructions.
- Do not use attachments not recommended by Boca Flasher.
- Never operate the SBL-MC if it has a damaged cord or plug, if it is not working properly, if it has been dropped or damaged, or dropped into water.
- If the seal appears to be damaged/broken/torn return the SBL-MC to a service center for examination or repair.
- Keep cord away from heated surfaces.
- Never drop or insert any object into any opening.
- Do not operate where aerosol (spray) products are being used or where oxygen is being administered.

### **3. WARNING:**

Do not attempt to install or use the SBL-MC without reading the installation instructions and safety labels. Failure to adhere to these instructions could result in serious injury or property damage.

### **4. Do not modify, alter or attempt to service the SBL-MC:**

Doing so will void the warranty.

### **5. Do not use sharp tools near or on the fixture lens:**

Doing so will result in property damage and void the warranty.

### **Boca Flasher, Inc.**

508 S. Military Trail □ Deerfield Beach, Florida □ 33442 USA

Phone: 561-989-5338 □ Fax: 561-982-8323

[www.bocafletcher.com](http://www.bocafletcher.com)