

- Robust, variable light fixture.
- Interior installations only.
- Fixture comes in 6" increments with a 12" minimum.
- Reflector boosts overall output by 10%. Reflector only available with 120° Optics.
- Boca Flasher's patented CleanDim® technology ensures even dimming from 0-100%.
- Many options in color temperature to suit a range of projects.
- Uses standard line voltage dimming.
- Fixtures are compatible with both forward and reverse phase dimming or can use Boca's SDS module for 0-10V DALI or DMX Dimming.
- The housing is an anodized aluminum for enhanced durability on demanding installations.
- Total linear feet per power feed (10W): 120V = 46 ft., 277V = 160 ft.
- Contact Boca Flasher for tips with custom installation procedures.

PRODUCT SPECIFICATIONS: MUST COMPLETE THE QUICKSHIP ORDERING GUIDE (SEE PAGE 3)

	WATTAGE	COLOR OPTION	VOLTAGE	OPTIC	FINISH	MOUNTING	LENS	BAFFLE	REFLECTOR <small>(Only Available with 120° Optics)</small>	QS
Nanolume HD	6W 10W	2000K 2400K 2700K 3000K 3500K 4000K	120V 277V	15°x 40° 120°	A Clear Anodize C Custom**	FS Fixed Short FT Fixed Tall H Hinge	C Clear CLD Clear Light Diffused <small>(Not Available with Optics)</small> HD Heavy Diffused <small>(Not Available with Optics)</small>	SQ Square ASYM Asymmetric	Y Yes N No	QS Quickship

** Extra Charges May Apply

Quick Ship Terms:

- Orders Must be Received by 12pm EST
- Quick Ship Fixtures are Interior Use Only.
- Only Lengths of 500 Ft. or Less Can Be Ordered.
- No Custom Modifications are Available, Only the Standard Qualifies.
- Any Delays In Approvals May Void Quick Ship Possibility.
- Errors/Omissions will be Sole Responsibility of Purchaser.
- Additional Costs May Apply.
- Minimum Orders Will Apply.
- Subject to All Standard Approvals.
- All Orders Subject to All Boca Flasher Terms and Conditions.

Nanolume HD Order Terms:

- Lead Time: **10 Business Days After Approvals**
- (1) Power feed and (1) Terminator Included per 43 feet
- 2 Clips included per less than 48" lengths and 3 Clips included per on 48" & 72" lengths

NANOLUME HD Quick Ship

Micro Profile LED Task and Cove Fixture



TECHNICAL SPECIFICATIONS:

WATTAGE	6 or 10 watts per linear ft.
INPUT VOLTAGE	90-120V 230-277V
CONTROL	Leading Edge/Trailing Edge line dimmer 0-10V*, DALI*, DMX*
LED SPACING	5/8" on center
LENGTH	12-72", in 6" increment allow 1/4" for each end cap and 1.25" for power feed cable
TOTAL WIDTH	1.01"
TOTAL HEIGHT	1.09"
COLOR OPTIONS	2000K, 2400K, 2700K, 3000K, 3500K, 4000K
MOUNTING	Fixed or Hinge
AVAILABLE OPTICS	15°×40°, 120°
COLOR RENDERING INDEX (CRI)	95 + CRI
RATING	Interior Only IP52

*Uses Boca SDS Module for 0-10V, Dali, or DMX Dimming.

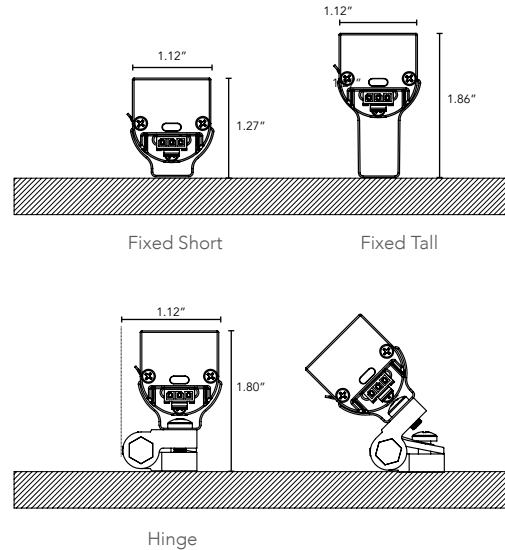
LUMINAIRE INFORMATION:

CCT (K)	Wattage	Lumens	LPW
2000	10	718	72
2400	10	850	85
2700	10	936	94
3000	10	980	98
3500	10	1030	103
4000	10	1060	106

* Typical delivered lumen data is approximate. Actual lumens will vary due to installation environment and beam pattern. Please see IES files.

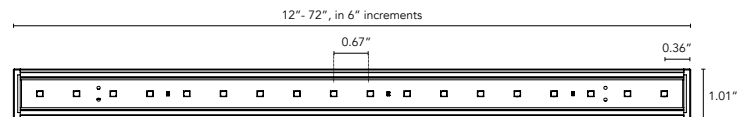
MOUNTING INFORMATION:

- For vertical installation please contact the factory for specific mounting instructions.
- For installations above 4' please contact the factory.

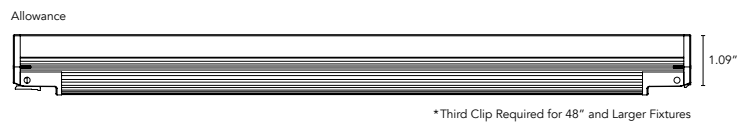


DIMENSIONS:

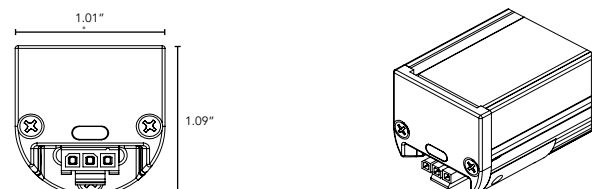
Plan View



Elevation View



End View





Nanolume HD - QuickShip

ORDER GUIDE

Customer:

Date:

PO:

Project:

Distributor:

TYPE	LENGTH 6" Increments	QUANTITY		WATTAGE	COLOR OPTION	VOLTAGE	OPTIC	FINISH	MOUNTING	LENS	BAFFLE	REFLECTOR <small>(Only Available with 120" Optics)</small>
			Nanolume HD									QS
			Nanolume HD									QS
			Nanolume HD									QS
			Nanolume HD									QS
			Nanolume HD									QS
			Nanolume HD									QS
			Nanolume HD									QS

Additional Power Feeds/End Caps Needed? Fill In Quantity, Additional Costs May Apply:

Project Notes:

Nanolume HD Order Terms:

- Lead Time: 10 Business Days After Approvals
- (1) Power feed and (1) Terminator Included per 43 feet
- 2 Clips included per less than 48" and 3 Clips included per on 48" & 72"

Quick Ship Terms:

- Orders Must be Received by 12pm EST
- Quick Ship Fixtures are Interior Use Only.
- Only Lengths of 500 Ft. or Less Can Be Ordered.
- No Custom Modifications are Available, Only the Standard Qualifies.
- Any Delays In Approvals May Void Quick Ship Possibility.
- Errors/Omissions will be Sole Responsibility of Purchaser.
- Additional Costs May Apply.
- Minimum Orders Will Apply.
- Subject to All Standard Approvals.
- All Orders Subject to All Boca Flasher Terms and Conditions.

Boca Lighting and Controls 508 South Military Trail, Deerfield Beach, Florida 33442 USA Phone: 561.989.5338 Fax: 561.982.8323 © 2023 Boca Lighting and Controls

We are constantly improving our fixtures and reserve the right to change options and specifications. For specific requirements, contact your Boca Lighting and Controls sales representative. This product complies with IES LM-79-08 testing procedures and relevant standards. HPNLS-HO meets or exceeds Title 24 Compliance. >45 Lumens per Watt. For additional information and details visit our website at www.boca.lighting. All products proudly manufactured in the USA. All rights reserved. All names and trademarks are property of their respective owners.